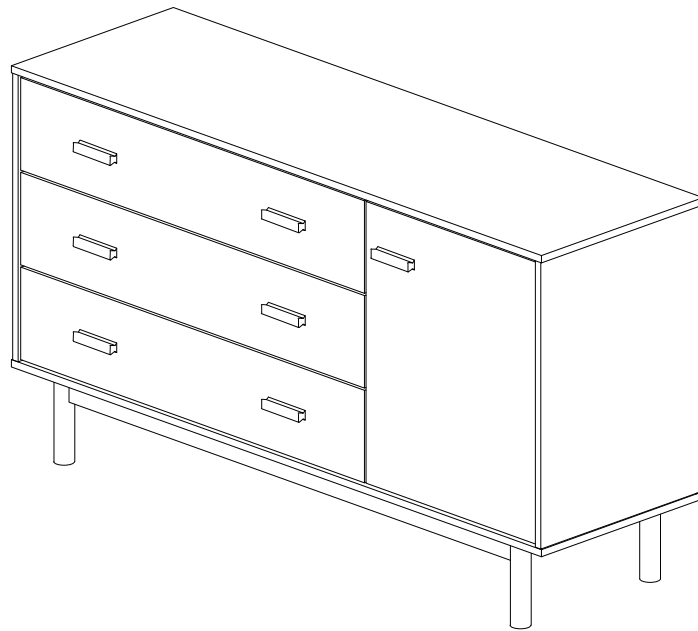
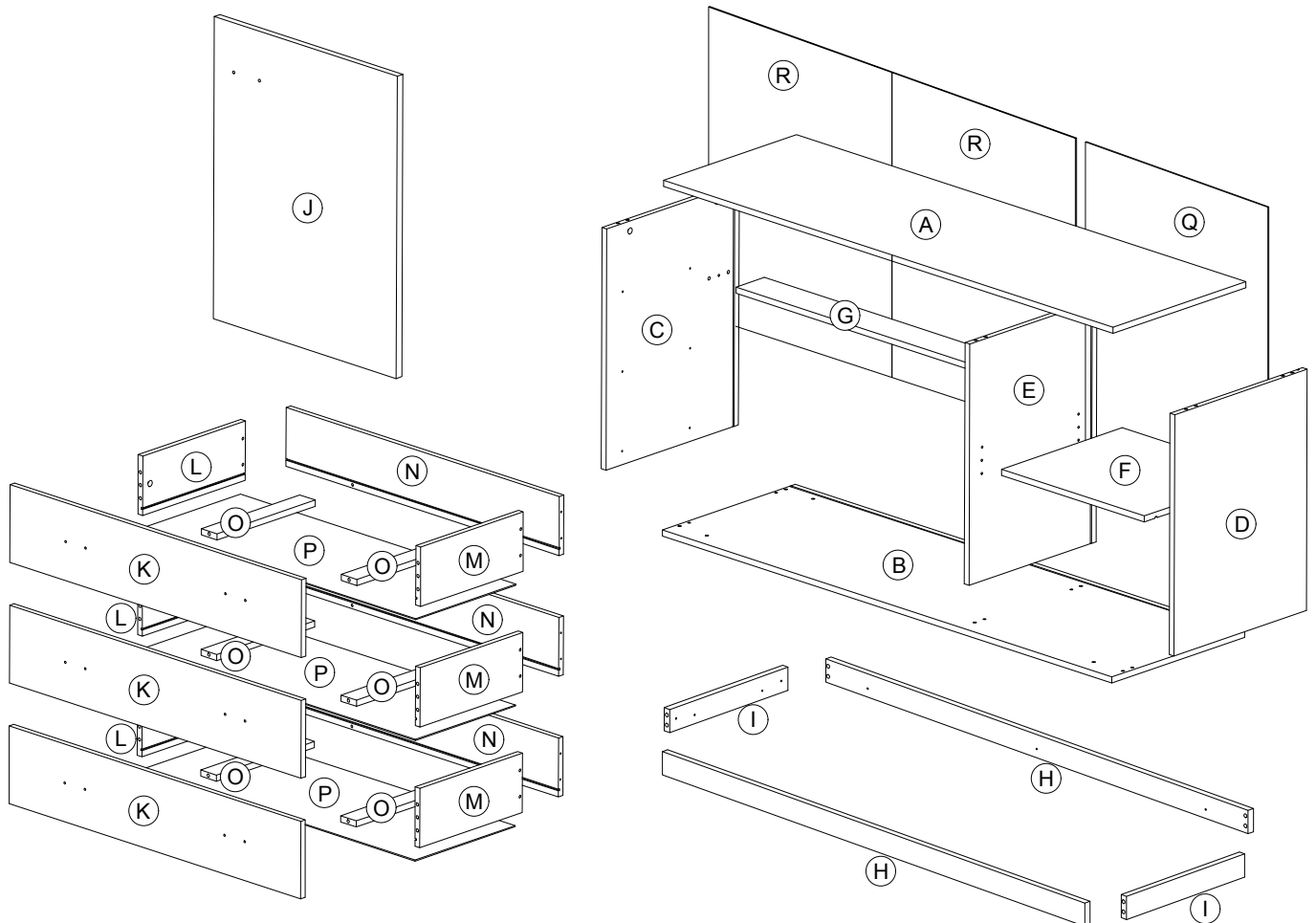


# Assembly Instruction

89351009, 89351010, 89351011



## Part List



# Assembly Instruction

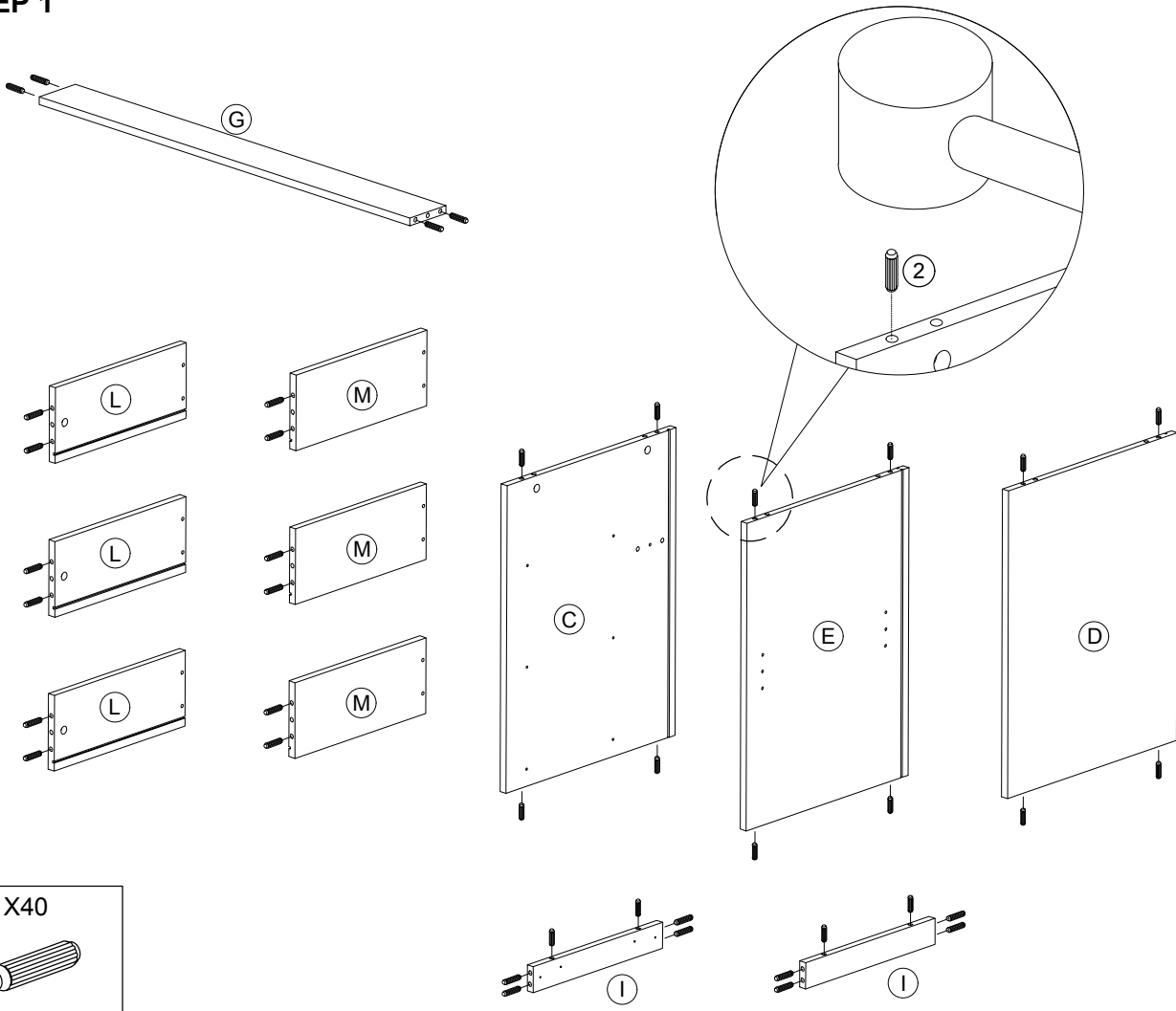
<i>Hardware List</i>			
No.	SHAPE	DESCRIPTION	Qty.
1		<b>15MM Myfix Minifix</b>	20Sets
2		<b>8x25mm Wood Dowel</b>	40Pcs
3		<b>M5x40mm Screw</b>	24Pcs
4		<b>Drawer Slide 12" (300mm)</b>	3Sets
5		<b>M3.5x16mm Screw</b>	46Pcs
6		<b>M5x8mm Screw (Euro Screw)</b>	12Pcs
7		<b>L Bracket</b>	14Pcs
8		<b>Hinges (F010)</b>	2Sets
9		<b>TP 10#x1/2" Screw</b>	8 Pcs
10		<b>MDF Profile Handle (100mm)</b>	7 Pcs
11		<b>M4x30mm Screw</b>	14 Pcs
12		<b>Z Bracket</b>	6 Pcs

13		<b>M3x16mm Screw</b>	12 Pcs
14		<b>Shelf Support</b>	4 Pcs
15		<b>15mm Minifix Cap</b>	8 Pcs
16		<b>L Key</b>	1Pc
17		<b>Wooden Leg Ø40x40x180mm</b>	4Pcs
18		<b>JCBC 'W' Screw M6x40</b>	4Pcs
19		<b>Metal Crossbar 1154x25x25mm</b>	1Pcs
20		<b>M4x38mm Screw</b>	6Pcs
21		<b>25mm PVC Stopper</b>	2 Pcs
22		<b>Nail</b>	8Pcs

## *Packing Tipping Restraint*

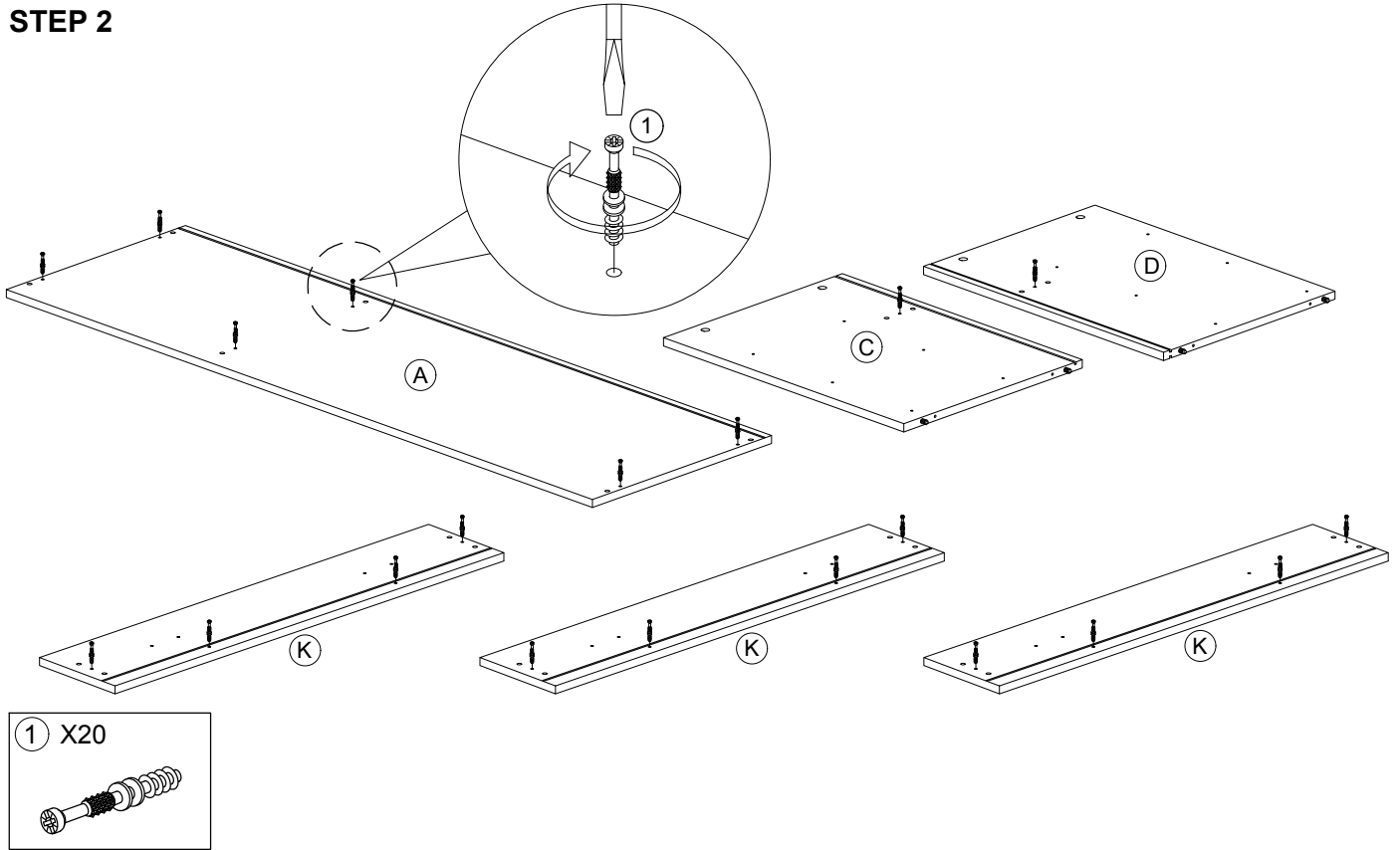
23		<b>M3.5x15mm Screw</b>	2Pcs
24		<b>Wall Plug</b>	2Pcs
25		<b>M4x30mm Screw</b>	2Pcs
26		<b>Safety Strap</b>	2Pcs
27		<b>Flat Washer 6x19x2mm</b>	4Pcs

## STEP 1

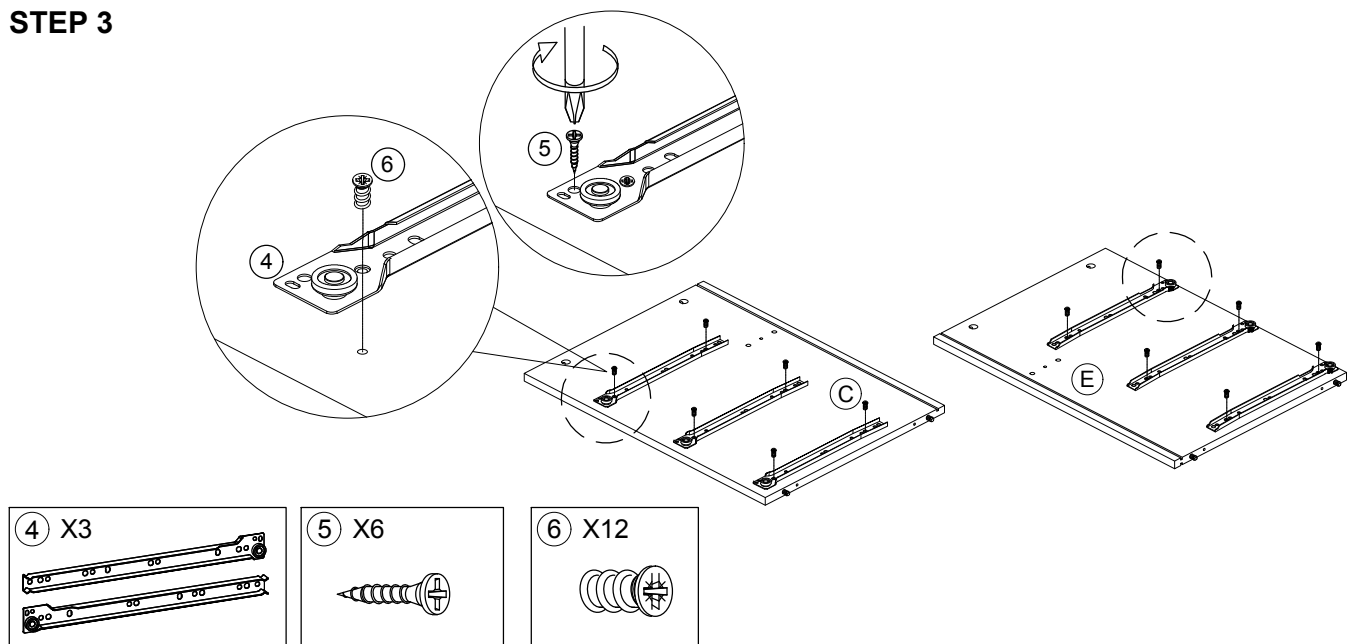


# Assembly Instruction

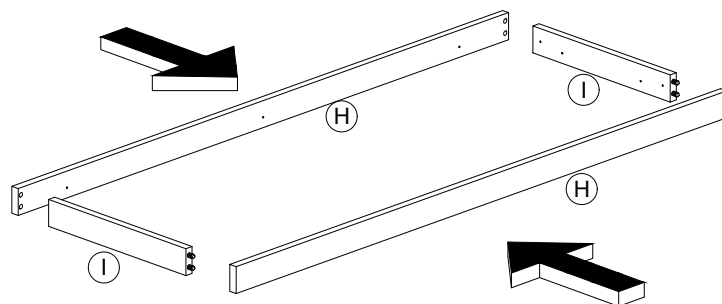
## STEP 2



## STEP 3

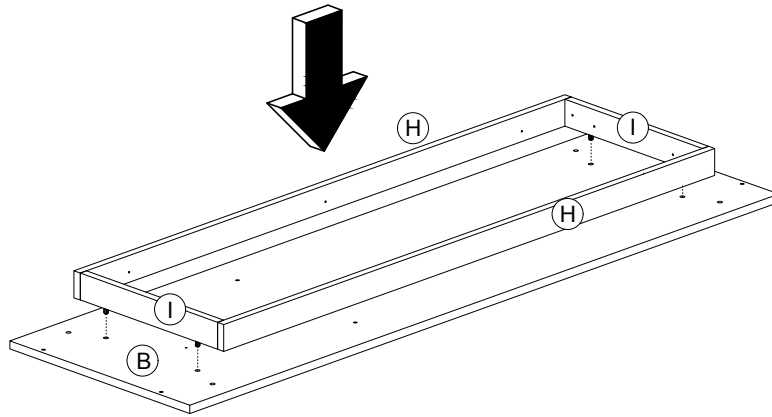


## STEP 4

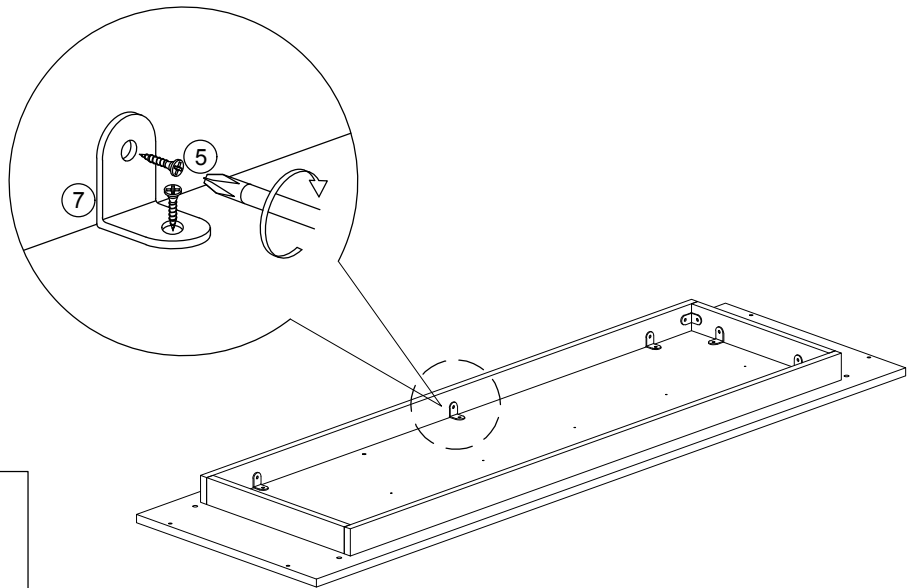


# Assembly Instruction

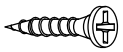
## STEP 5



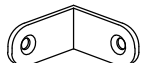
## STEP 6



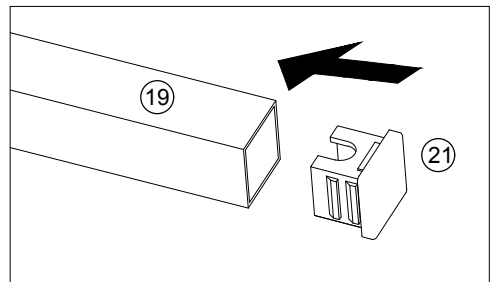
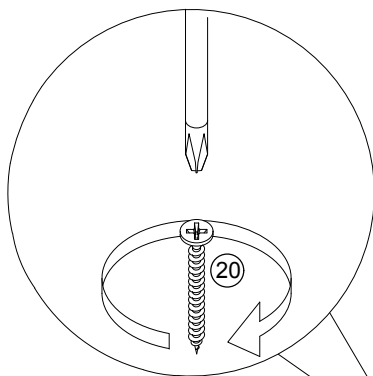
⑤ X28



⑦ X14



## STEP 7



⑱ X1



⑳ X6

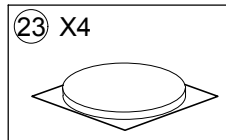
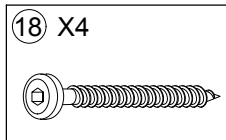
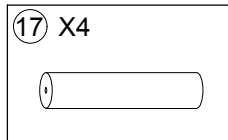
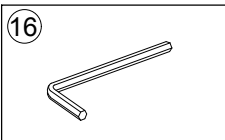
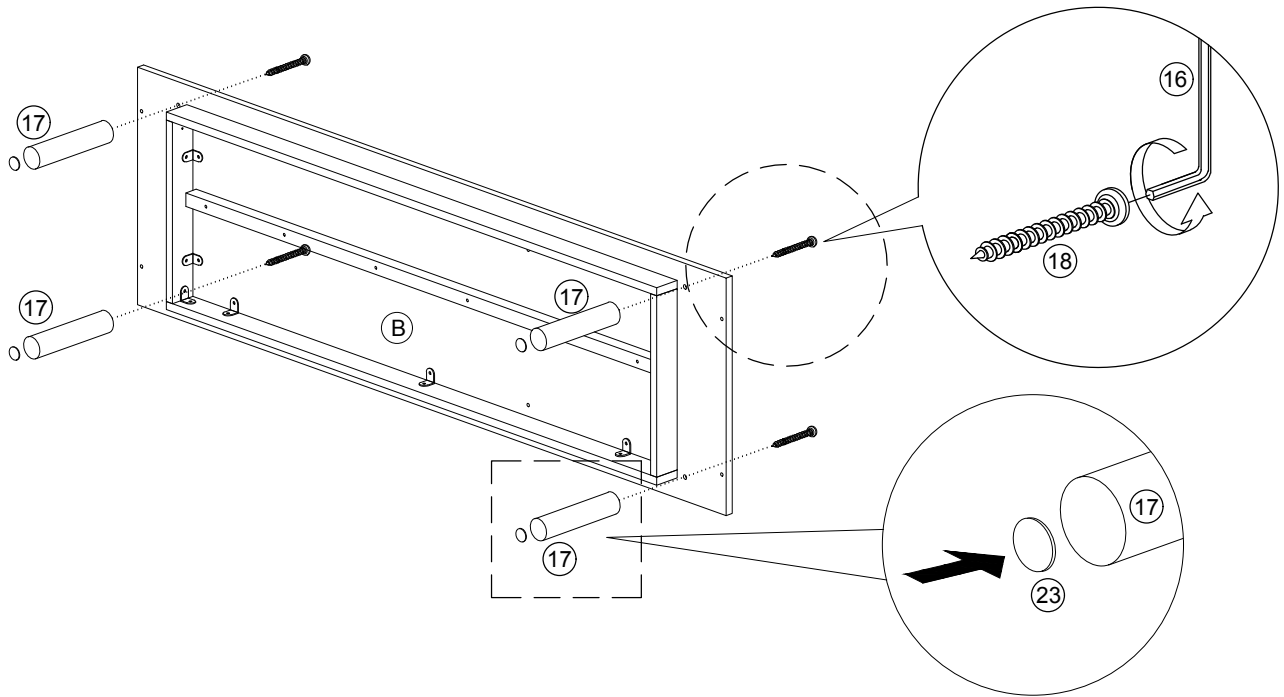


㉑ X2

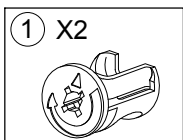
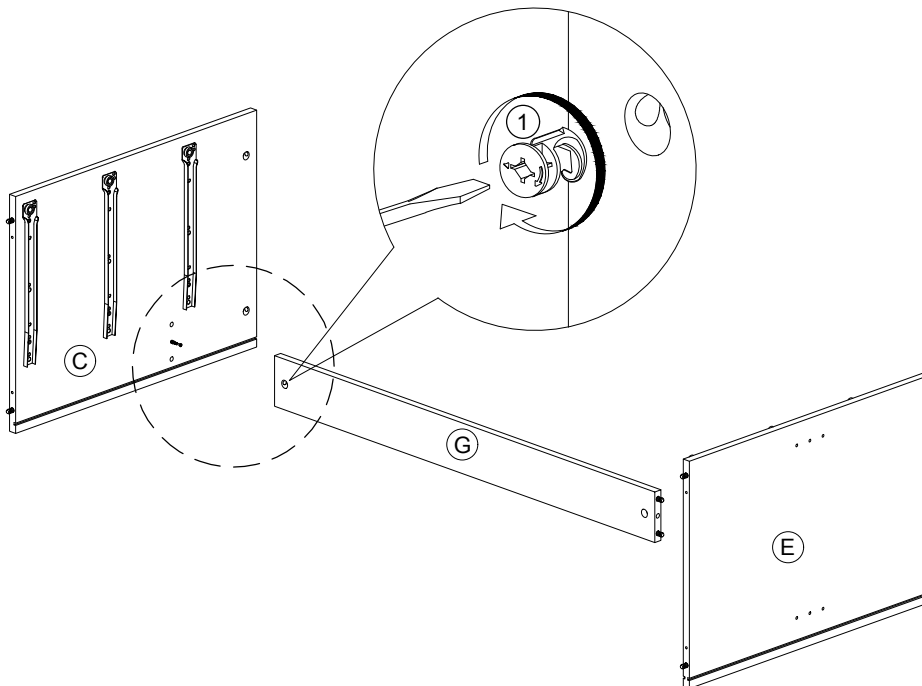


# Assembly Instruction

## STEP 8

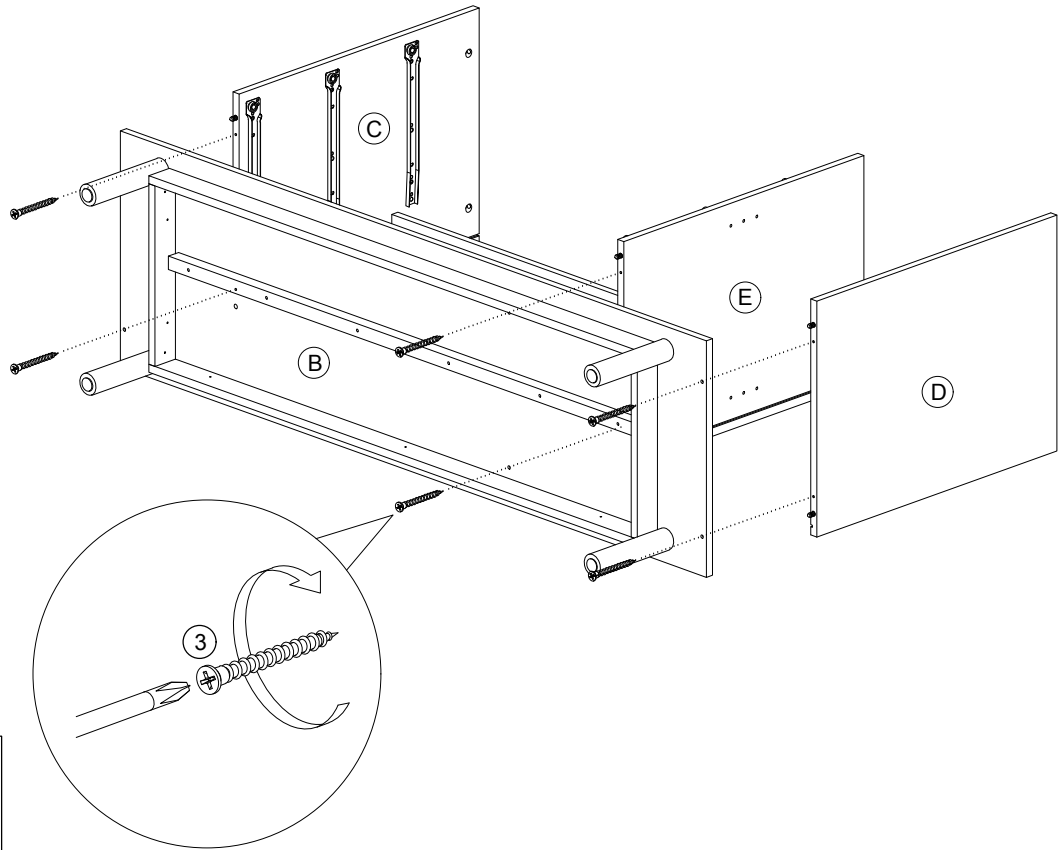


## STEP 9

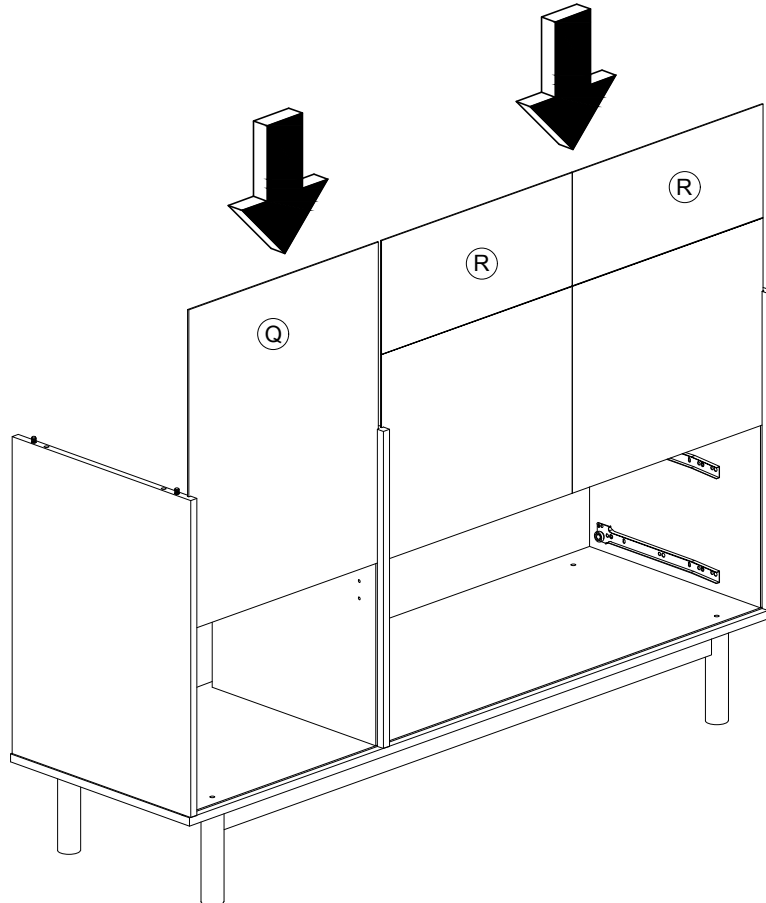


# Assembly Instruction

## STEP 10

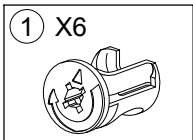
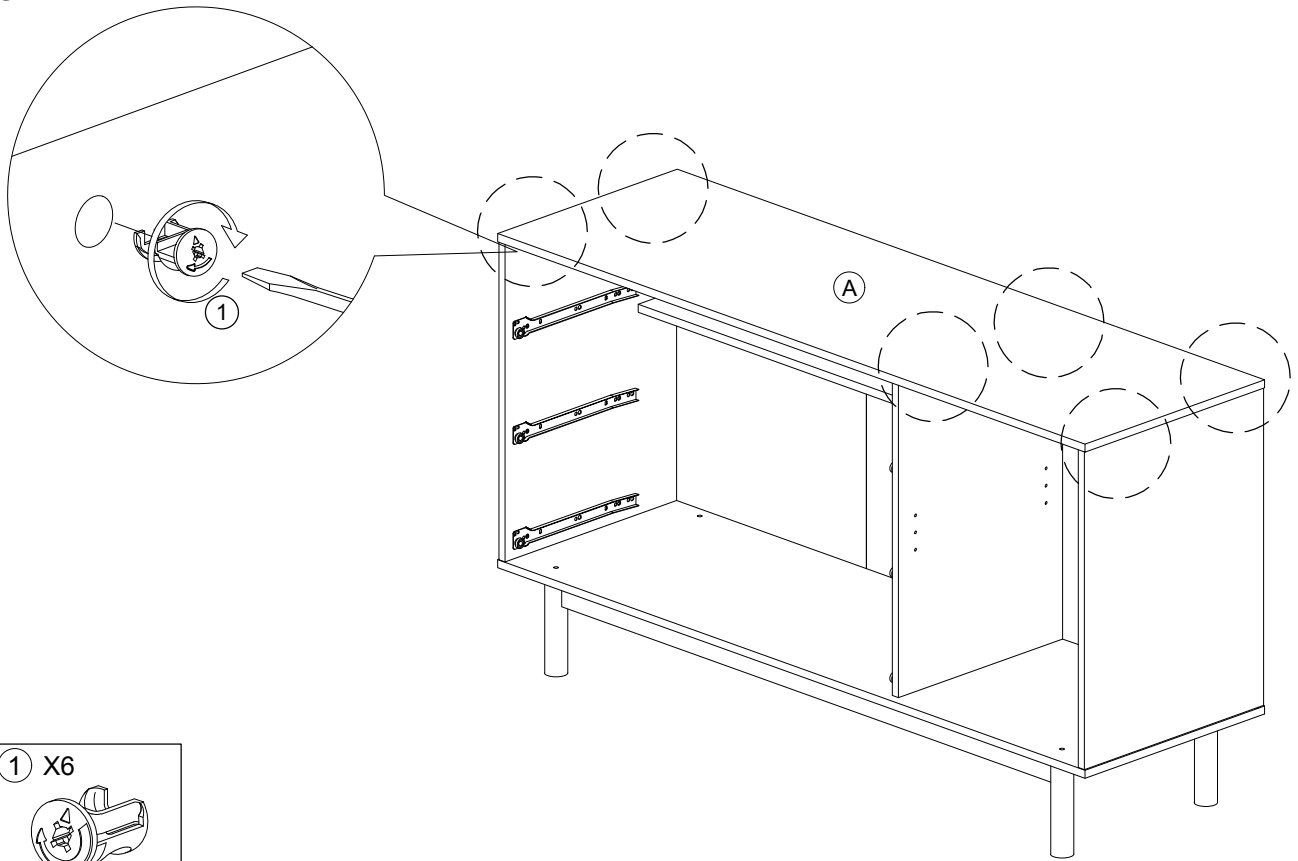


## STEP 11

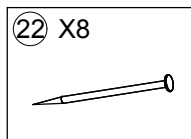
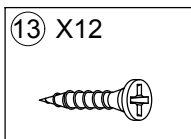
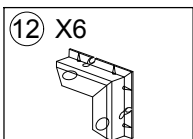
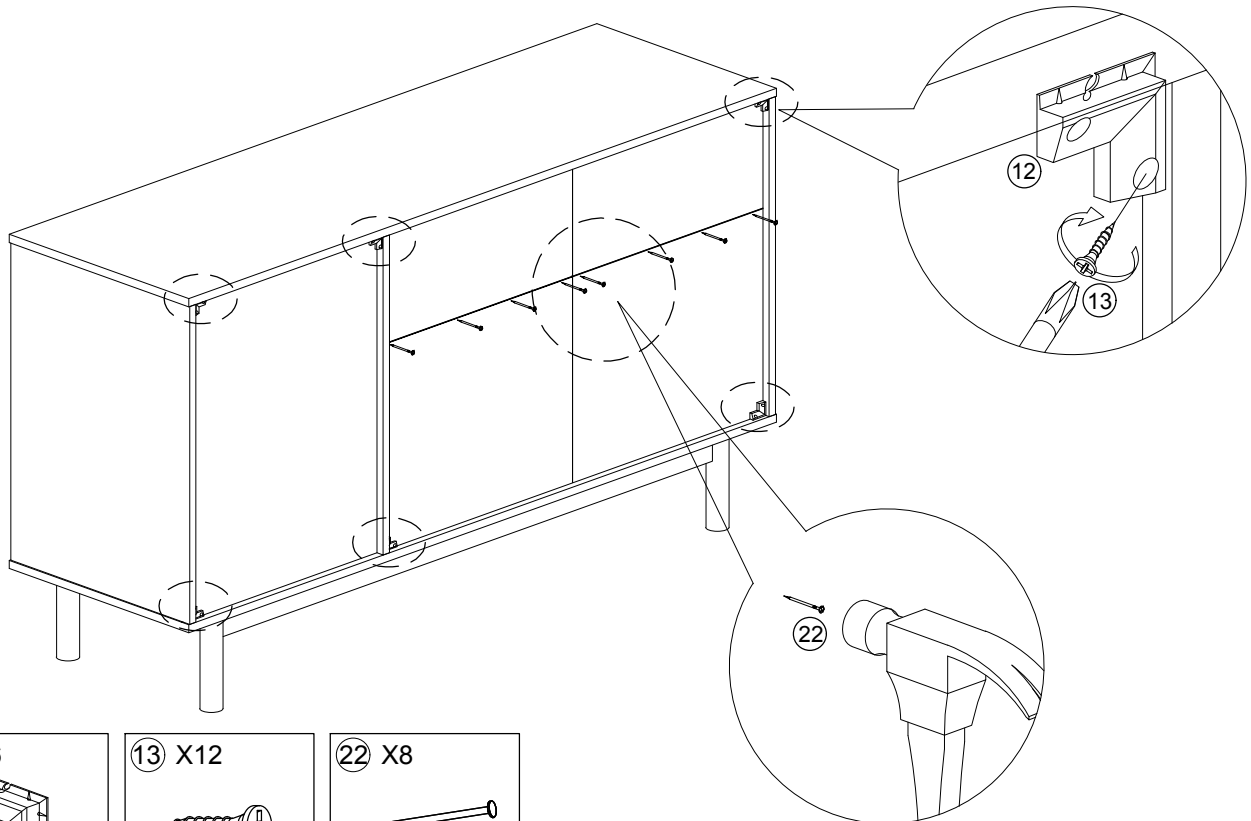


# Assembly Instruction

## STEP 12

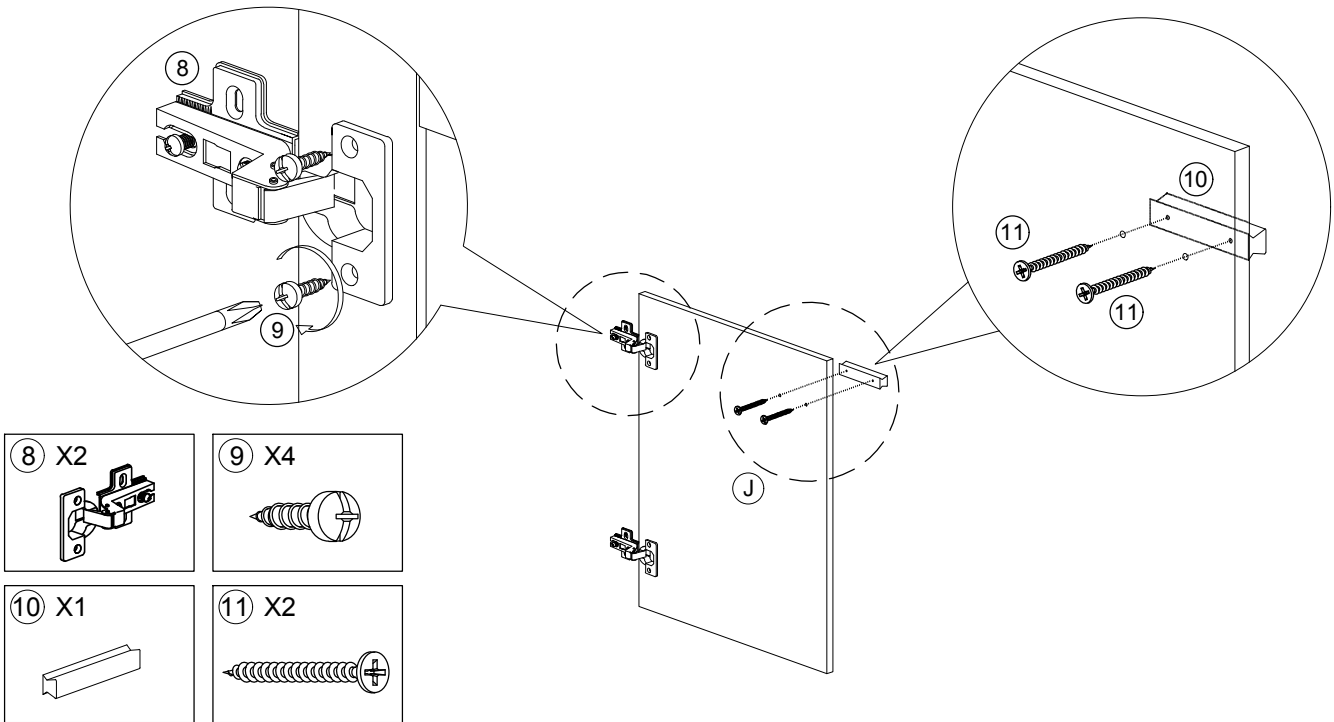


## STEP 13

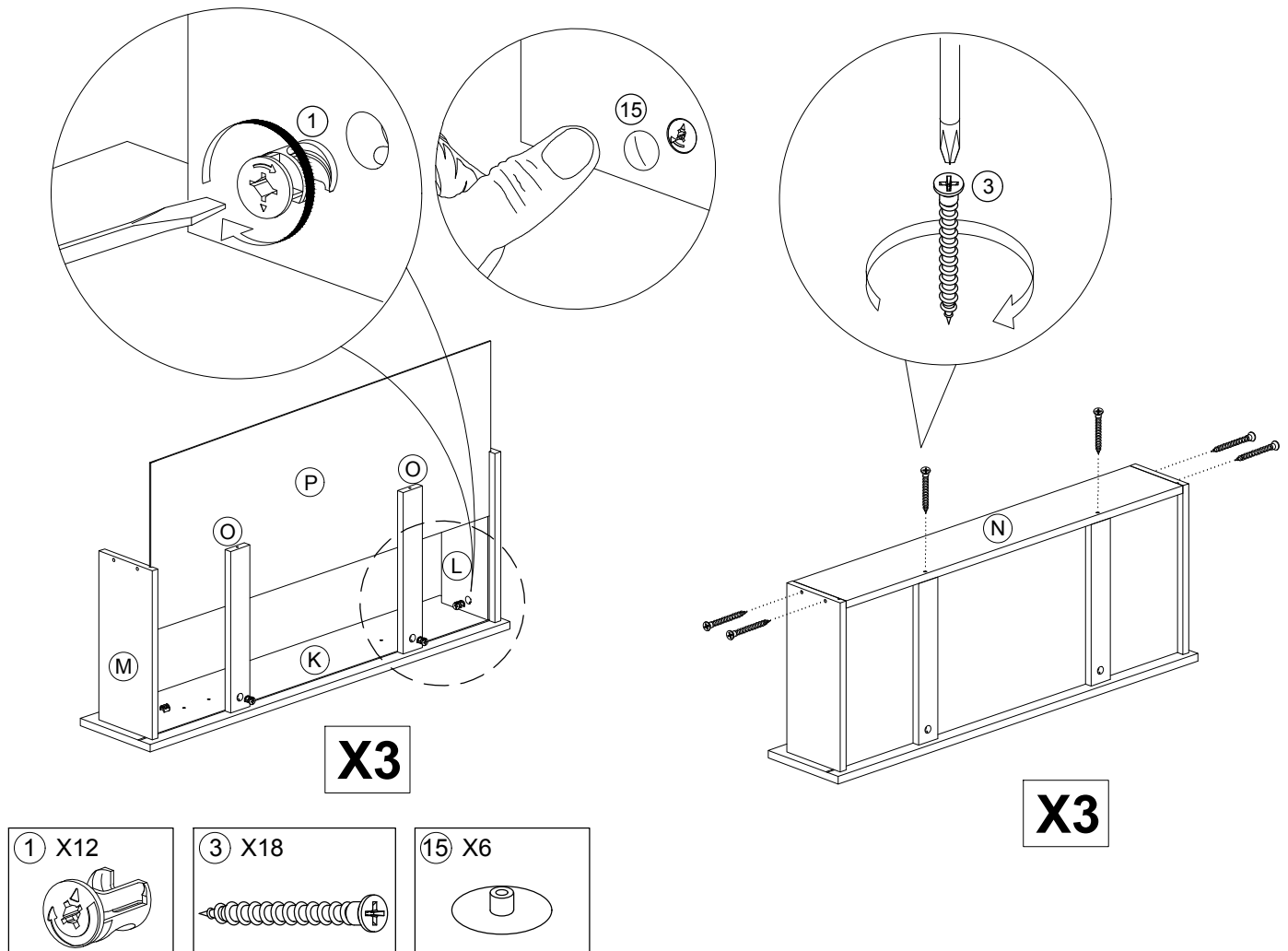


# Assembly Instruction

## STEP 14



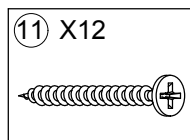
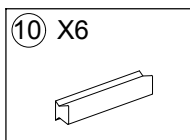
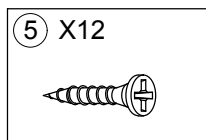
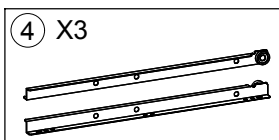
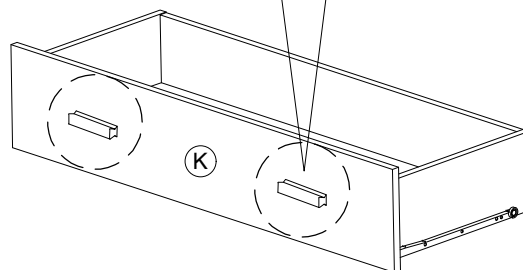
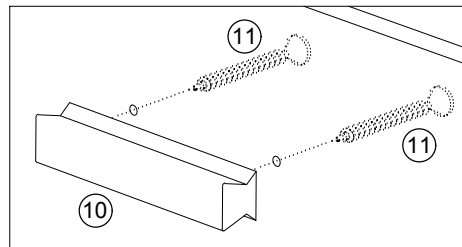
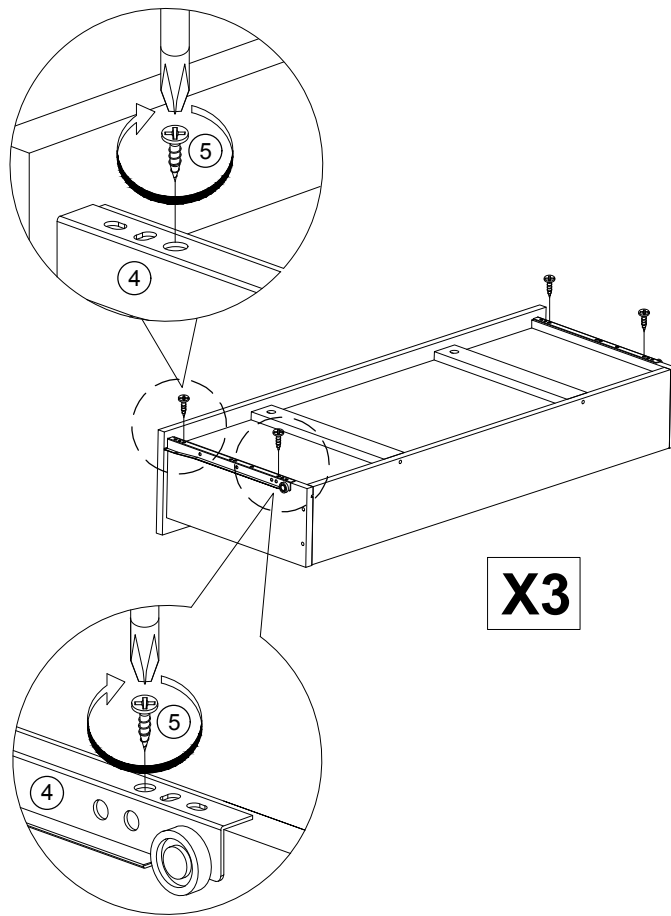
## STEP 15





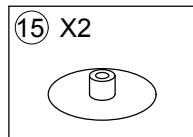
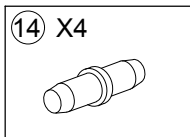
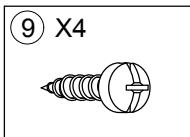
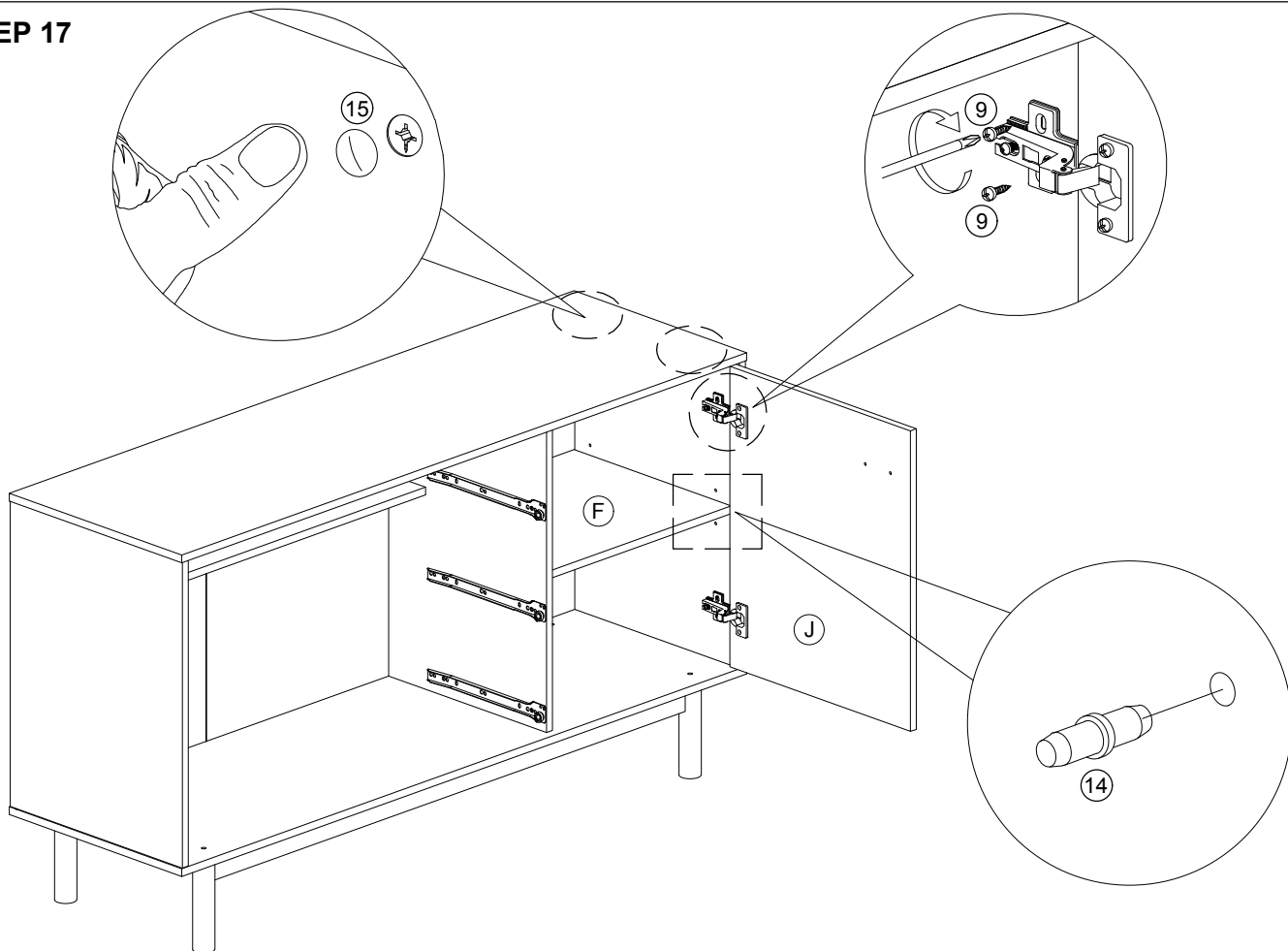
# Assembly Instruction

## STEP 16

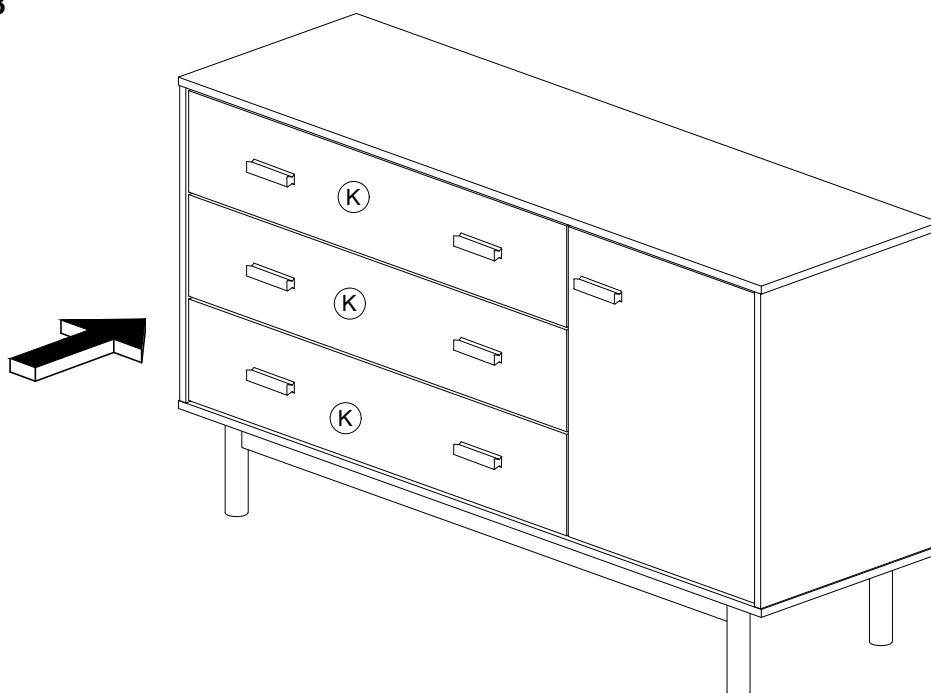


# Assembly Instruction

## STEP 17



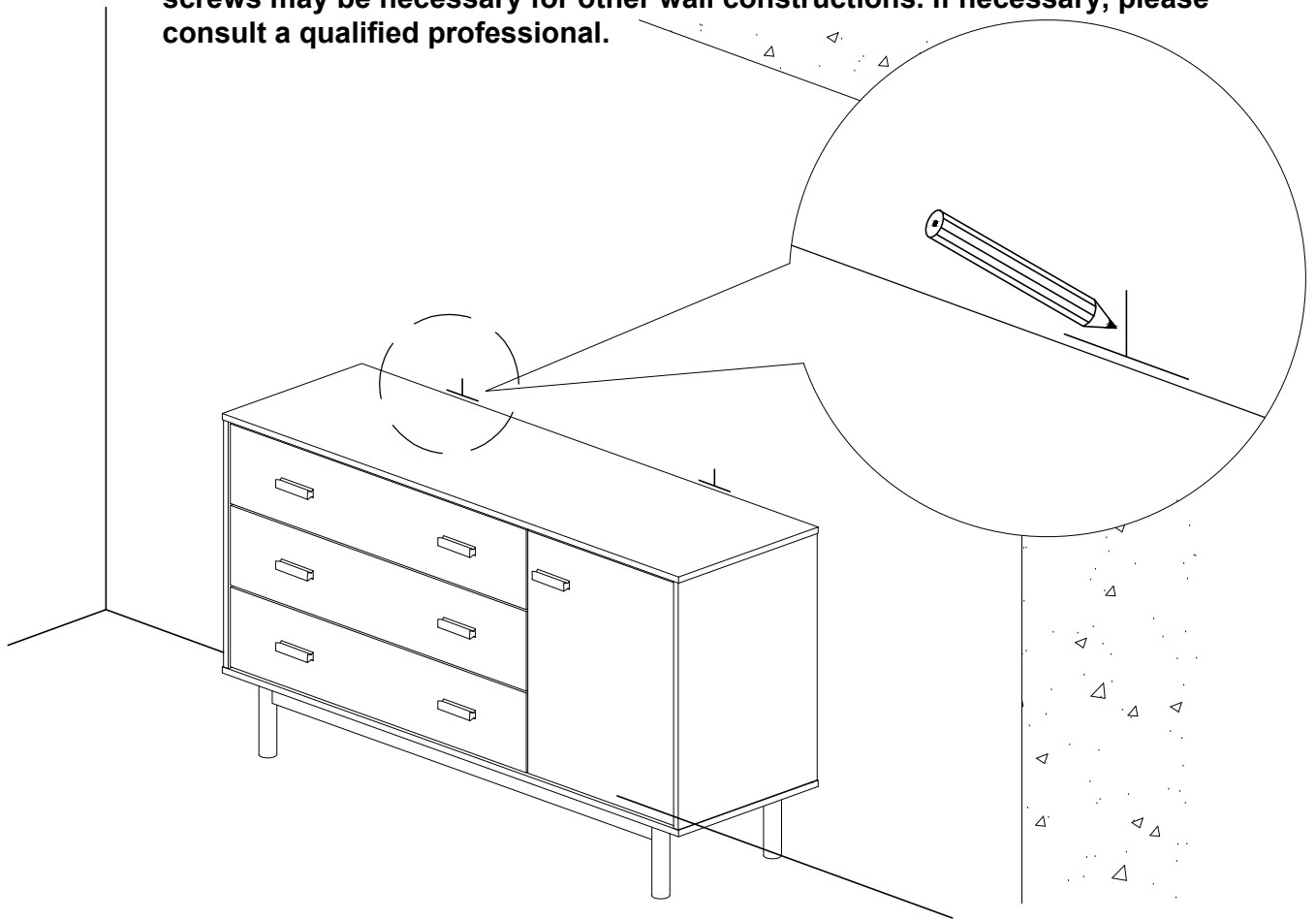
## STEP 18



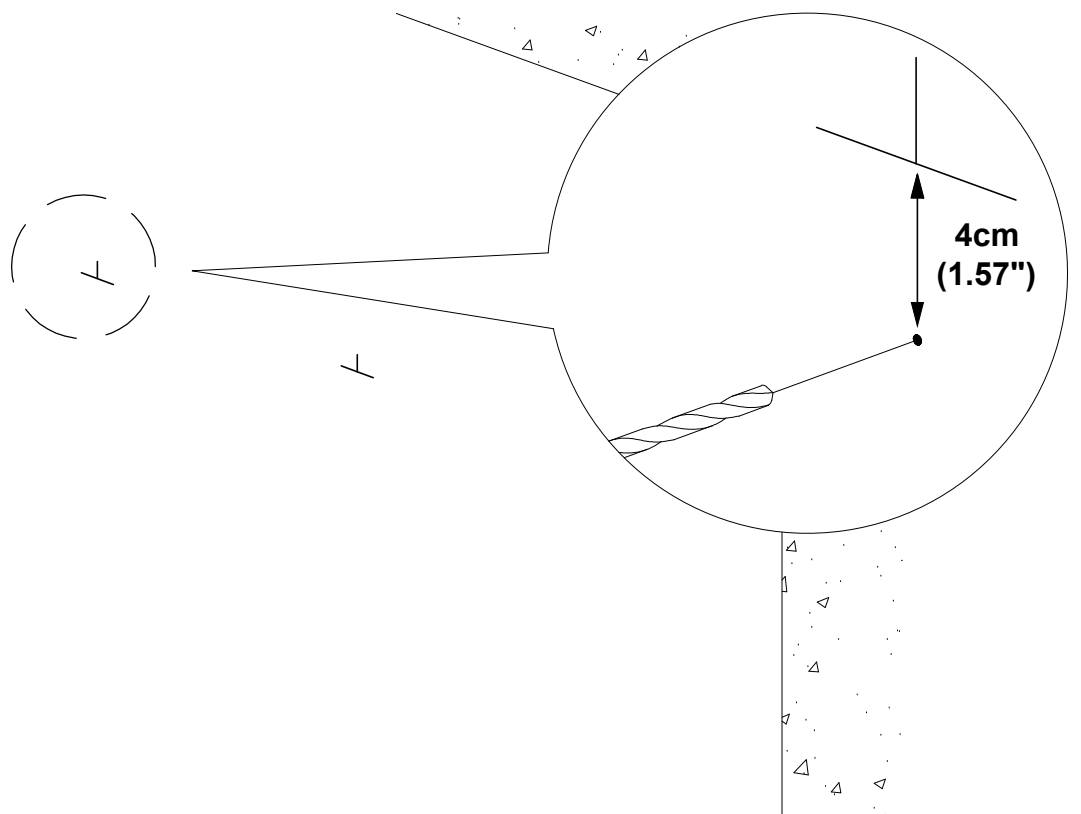
# Assembly Instruction

## STEP 19

The enclosed wall mounting materials (dowels and screws) are only suitable for solid masonry (e. g. concrete or brick walls). Special dowels and other screws may be necessary for other wall constructions. If necessary, please consult a qualified professional.

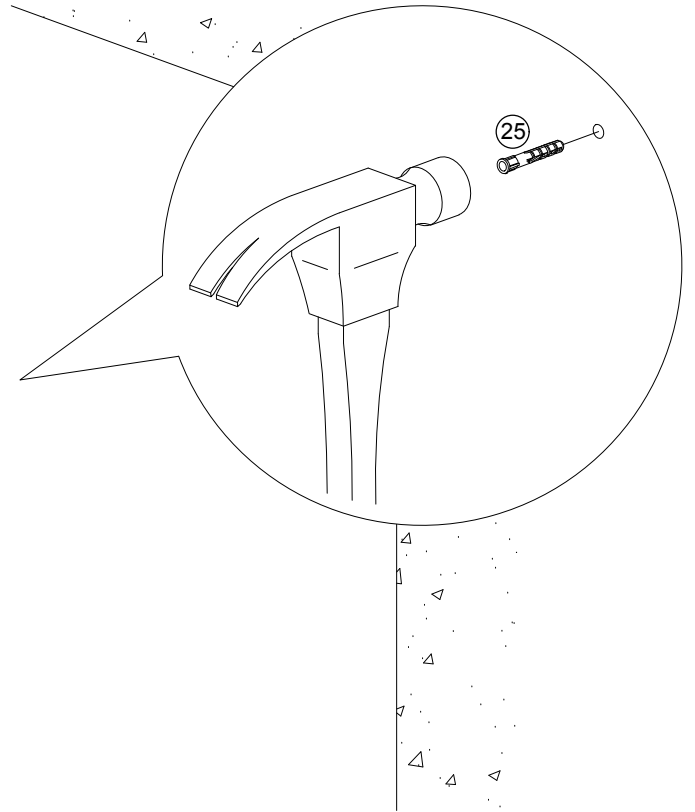
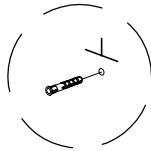


## STEP 20

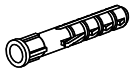


# Assembly Instruction

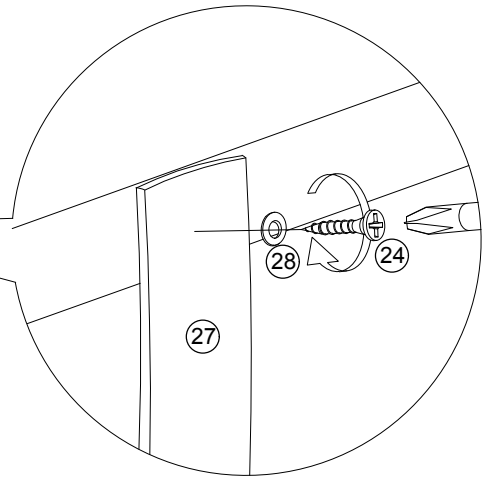
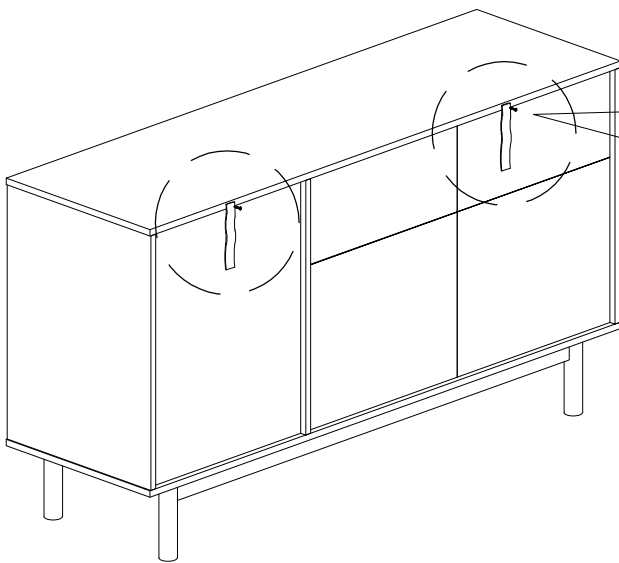
## STEP 21



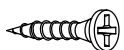
25 X2



## STEP 22



24 X2



27 X2

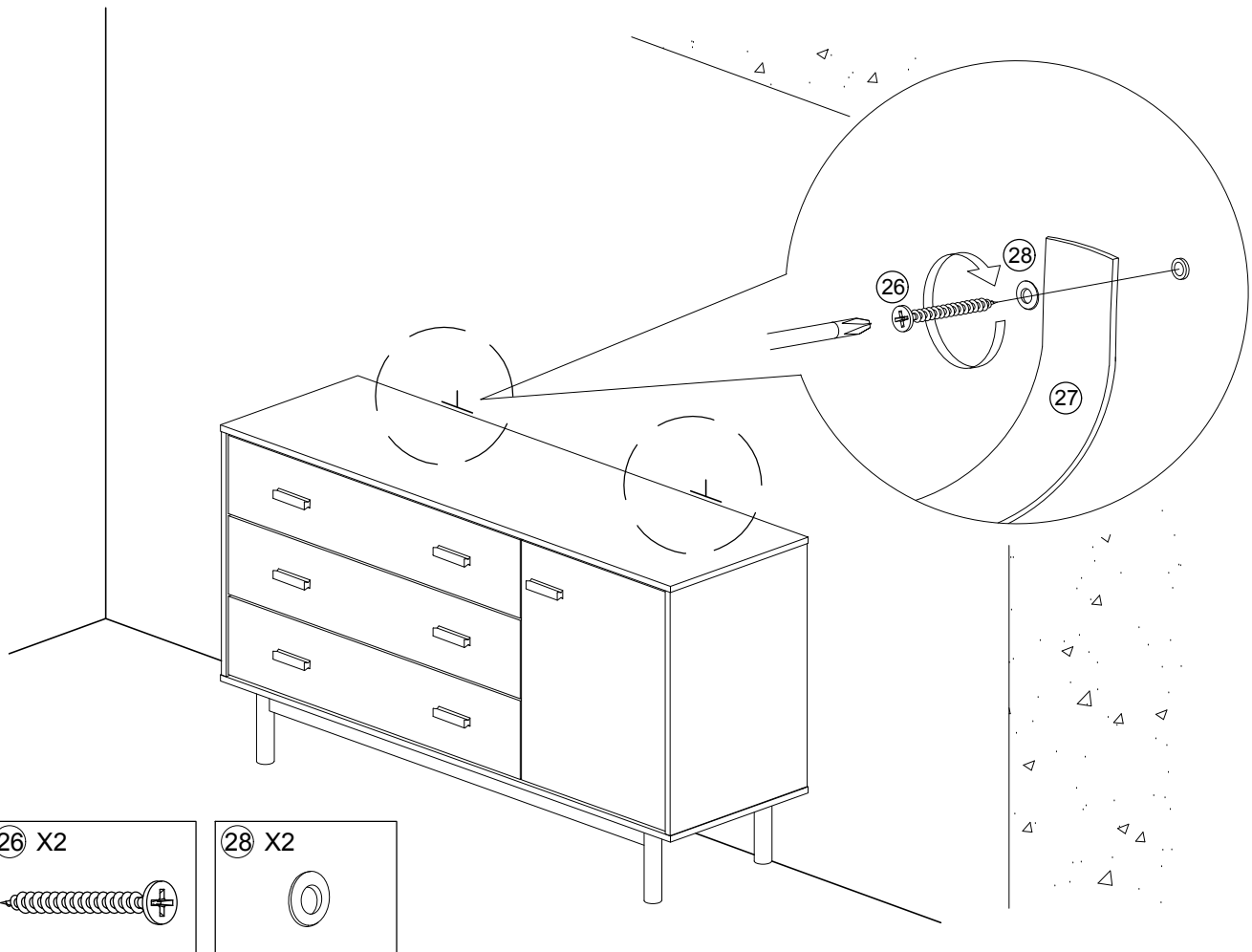


28 X2



# Assembly Instruction

## STEP 23



## STEP 24

