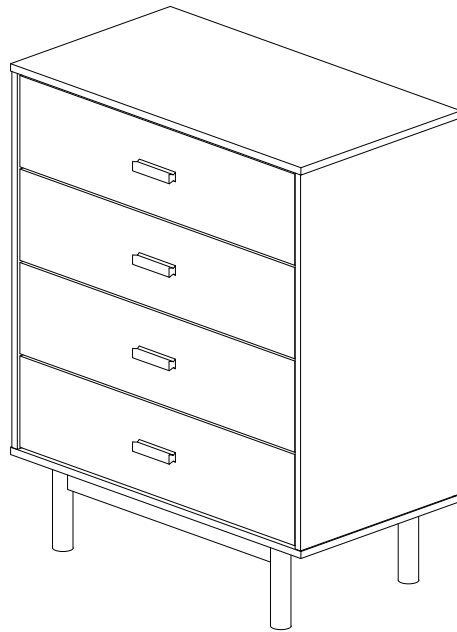
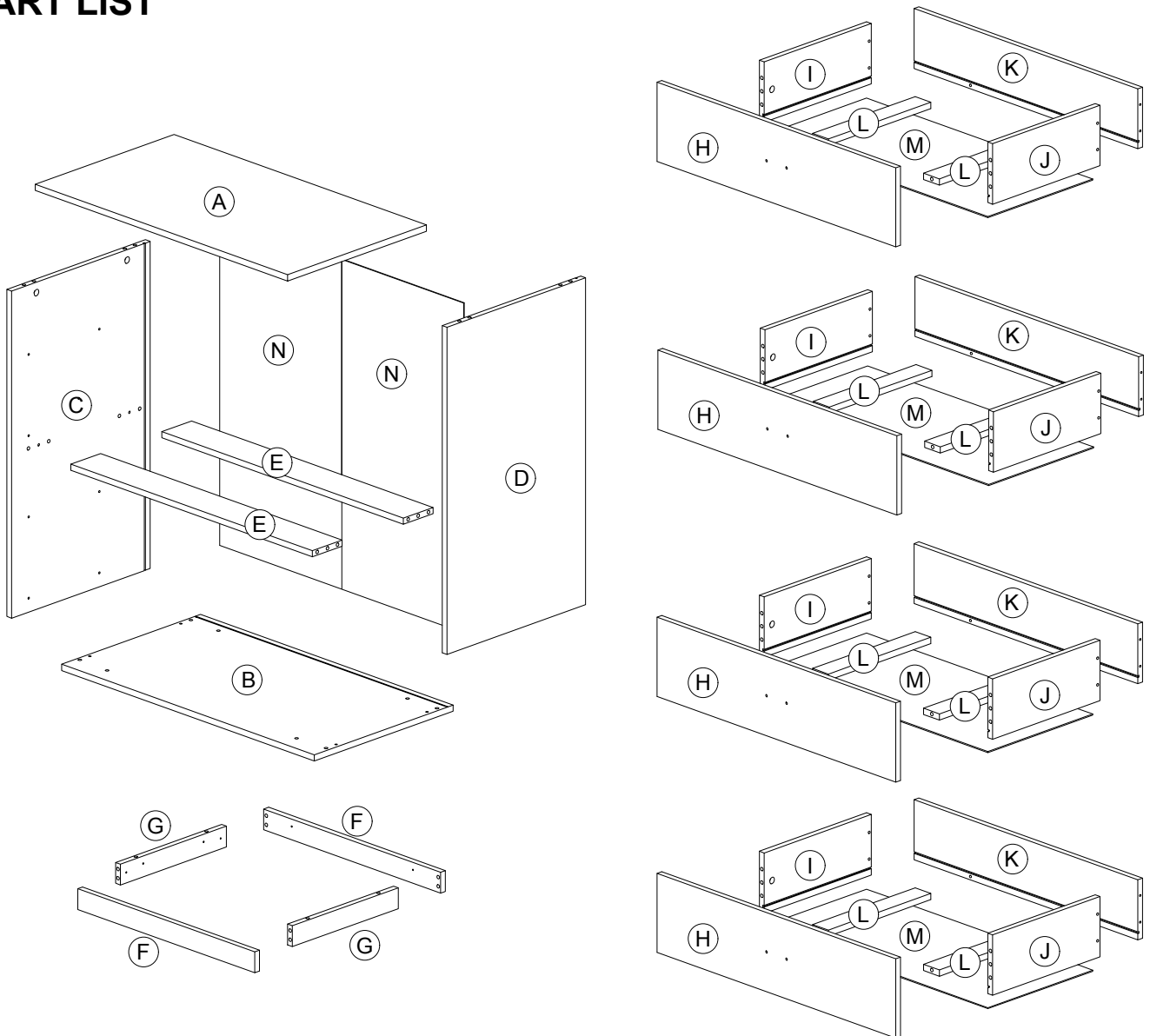


# Assembly Instruction

89421009, 89421010,  
89421011

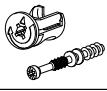

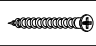



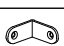

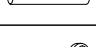
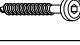



## PART LIST








# Assembly Instruction

## Hardware List

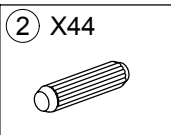
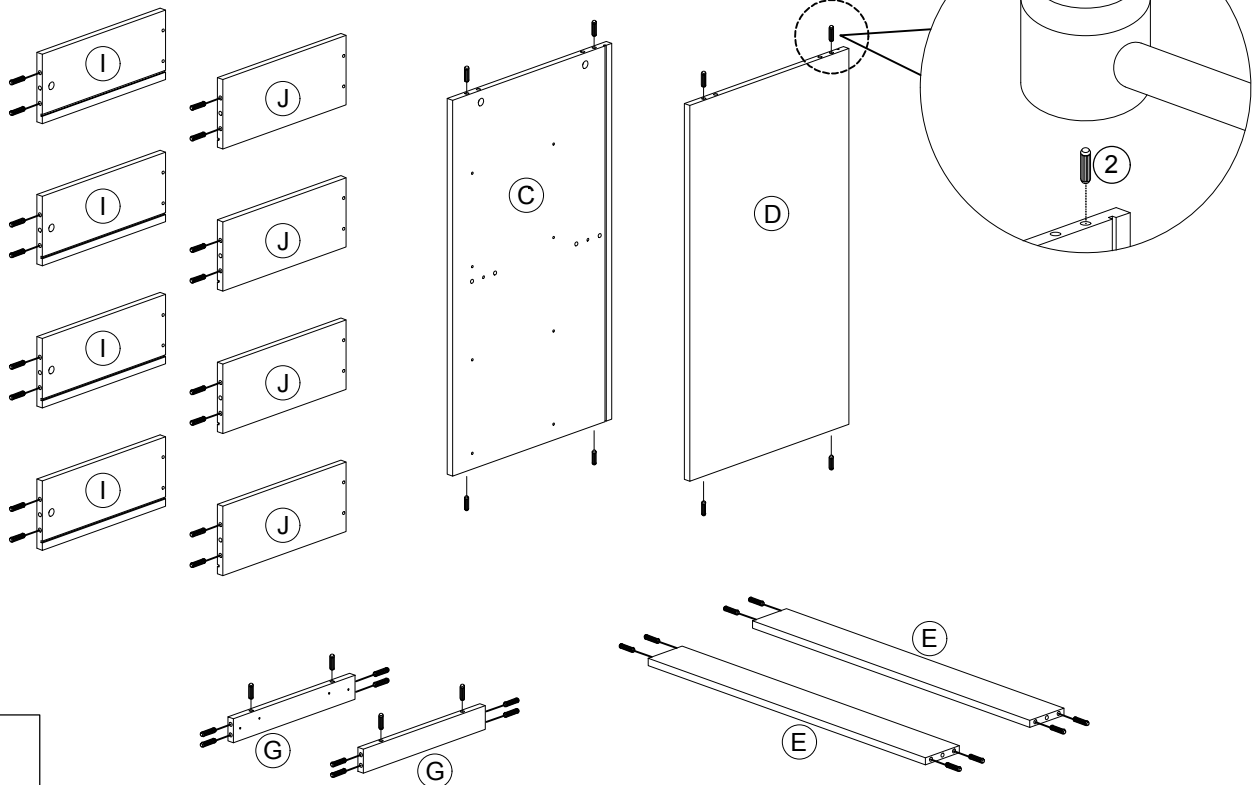
No.	SHAPE	DESCRIPTION	Qty.
1		<b>15MM Myfix Minifix</b>	24 Sets
2		<b>8x25mm Wood Dowel</b>	44 Pcs
3		<b>M5x40mm Screw</b>	28 Pcs
4		<b>Drawer Slide 12" (300mm)</b>	4 Sets
5		<b>M3.5x16mm Screw</b>	48 Pcs
6		<b>M5x8mm Screw (Euro Screw)</b>	16 Pcs
7		<b>L Bracket</b>	12 Pcs
8		<b>Wooden Leg Ø40x40x180mm</b>	4 Pcs
9		<b>JCBC 'W' Screw M6x40</b>	4 Pcs
10		<b>MDF Profile Handle (100mm)</b>	4 Pcs
11		<b>M4x30mm Screw</b>	8 Pcs

12		<b>Z Bracket</b>	2 Pcs
13		<b>M3x16mm Screw</b>	4 Pcs
14		<b>15mm Minifix Cap</b>	8 Pcs
15		<b>L Key</b>	1 Pc
16		<b>Nail</b>	8 Pcs
17		<b>Round Gasket Ø20mm</b>	4 Pcs

### Packing Tipping Restraint

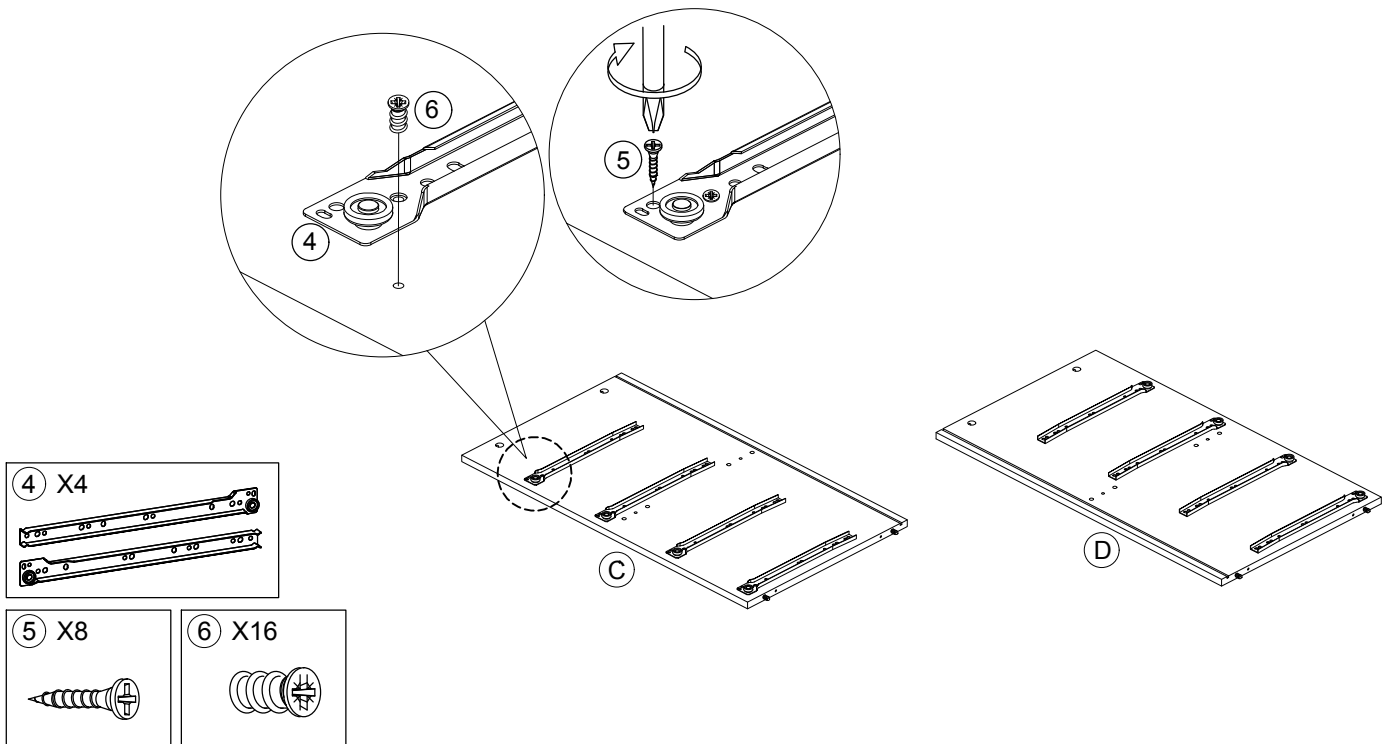
18		<b>M3.5x15mm Screw</b>	2Pcs
19		<b>Wall Plug</b>	2Pcs
20		<b>M4x30mm Screw</b>	2Pcs
21		<b>Safety Strap</b>	2Pcs
22		<b>Flat Washer 6x19x2mm</b>	4Pcs

## STEP 1

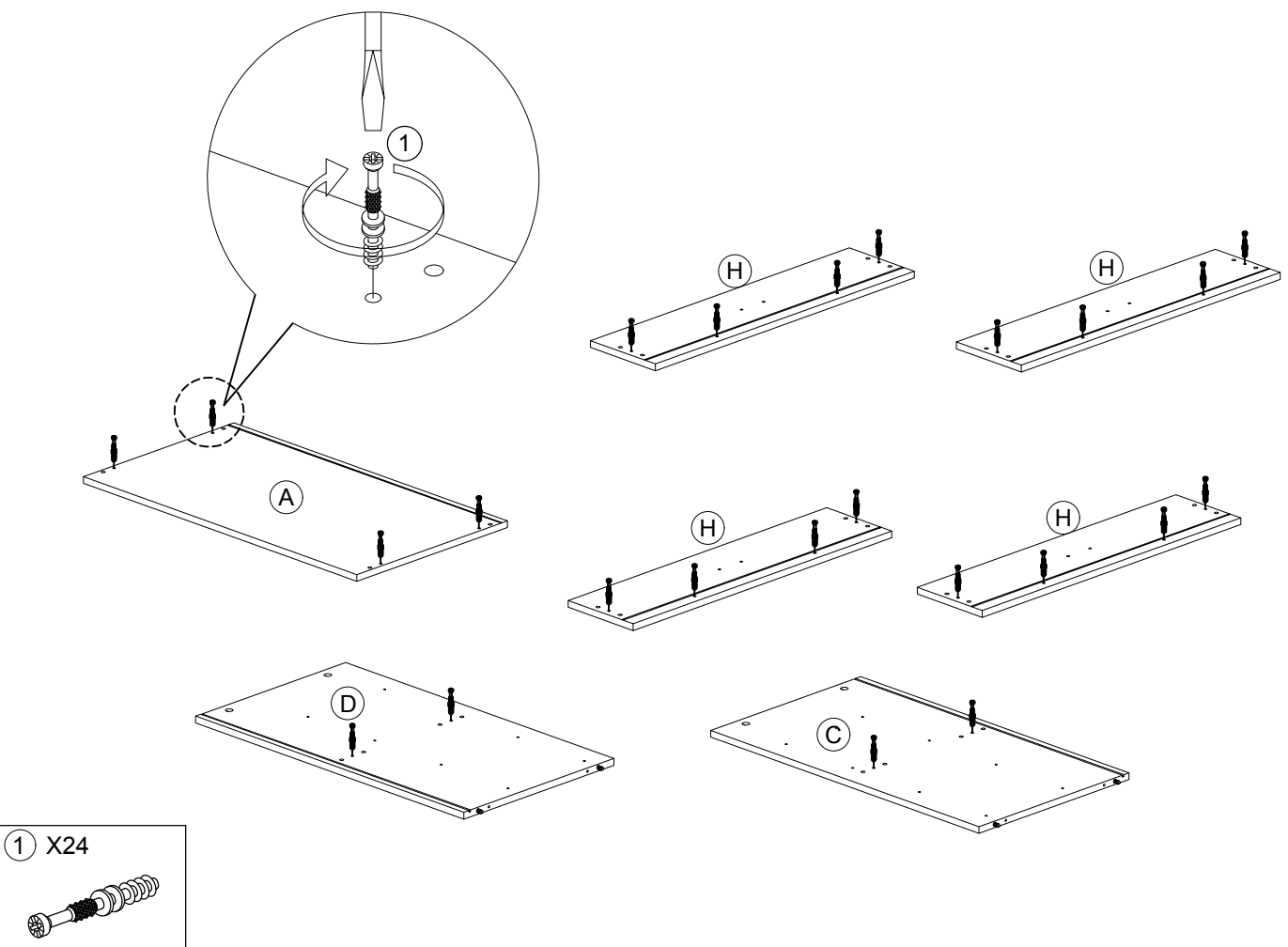


# Assembly Instruction

## STEP 2

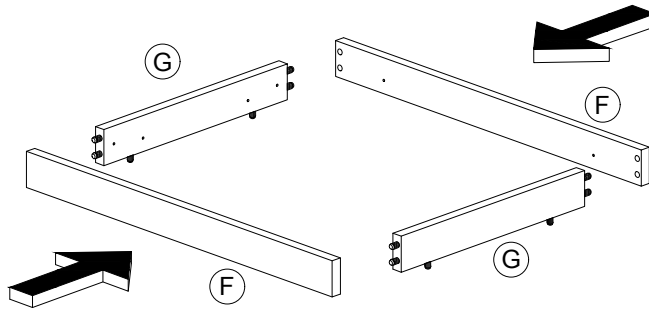


## STEP 3

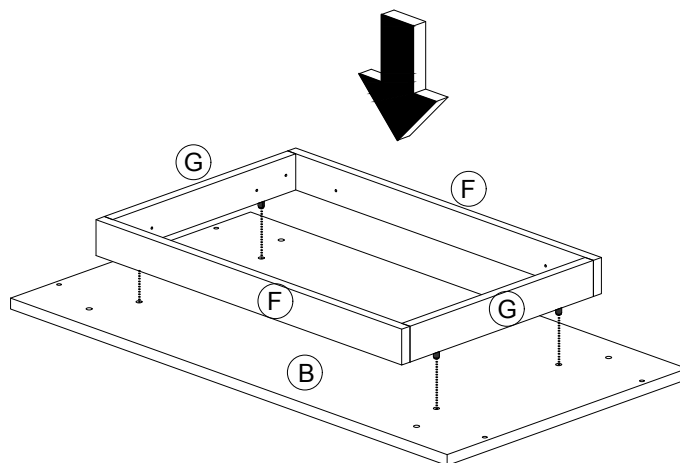


# Assembly Instruction

## STEP 4

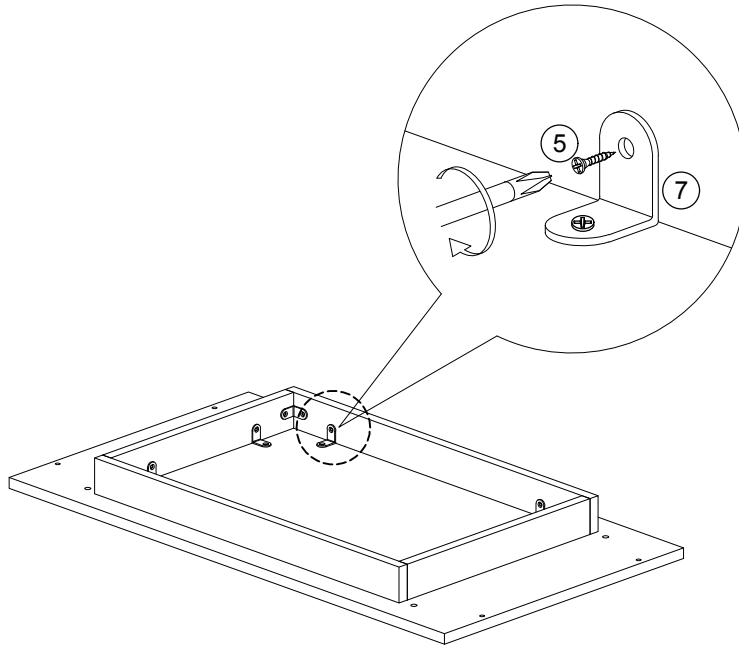


## STEP 5

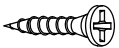


# Assembly Instruction

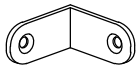
## STEP 6



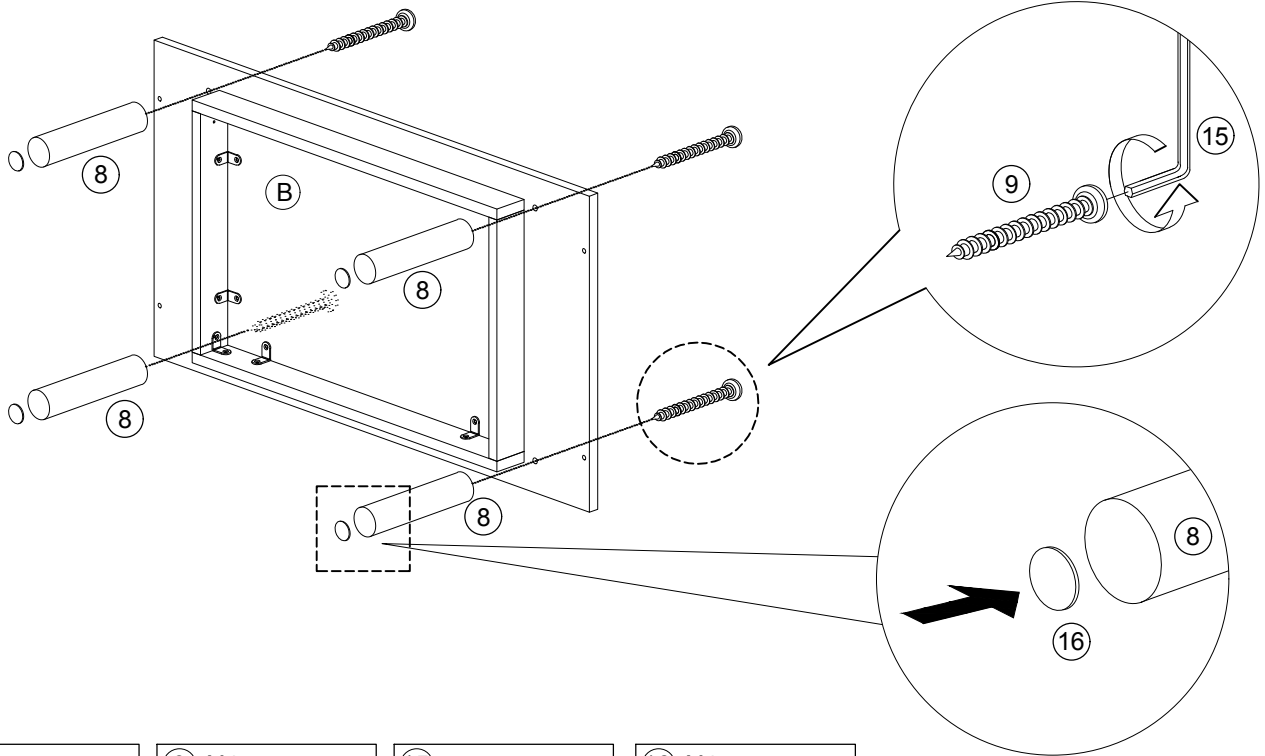
⑤ X24



⑦ X12



## STEP 7



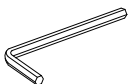
⑧ X4



⑨ X4



⑮

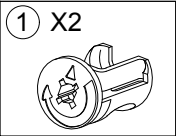
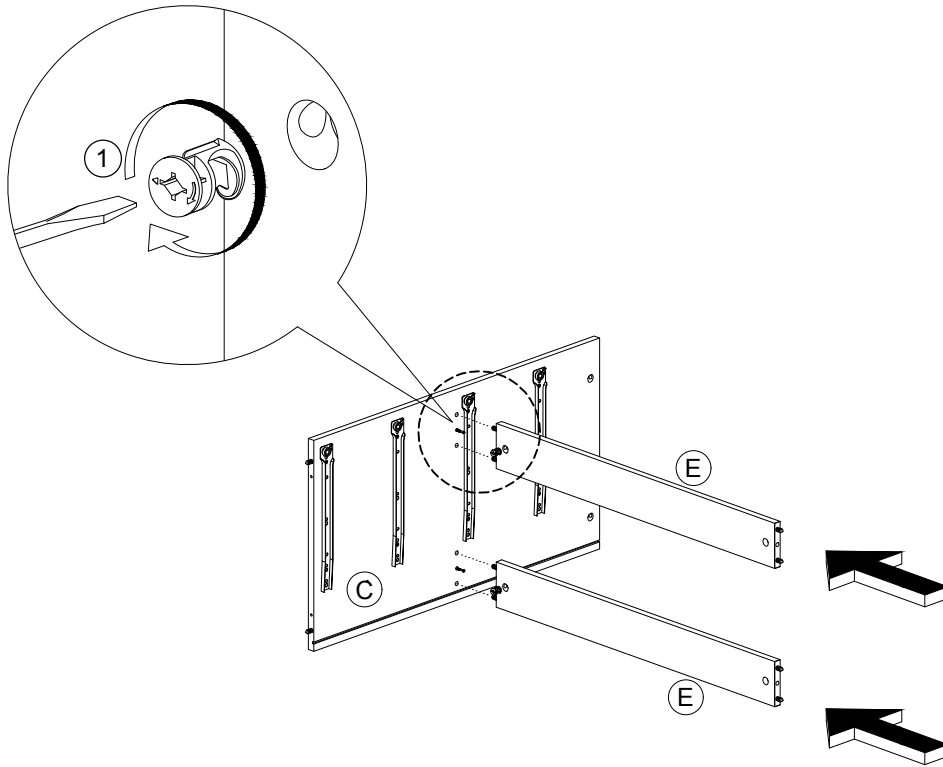


⑯ X4

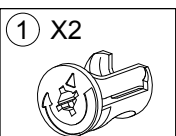
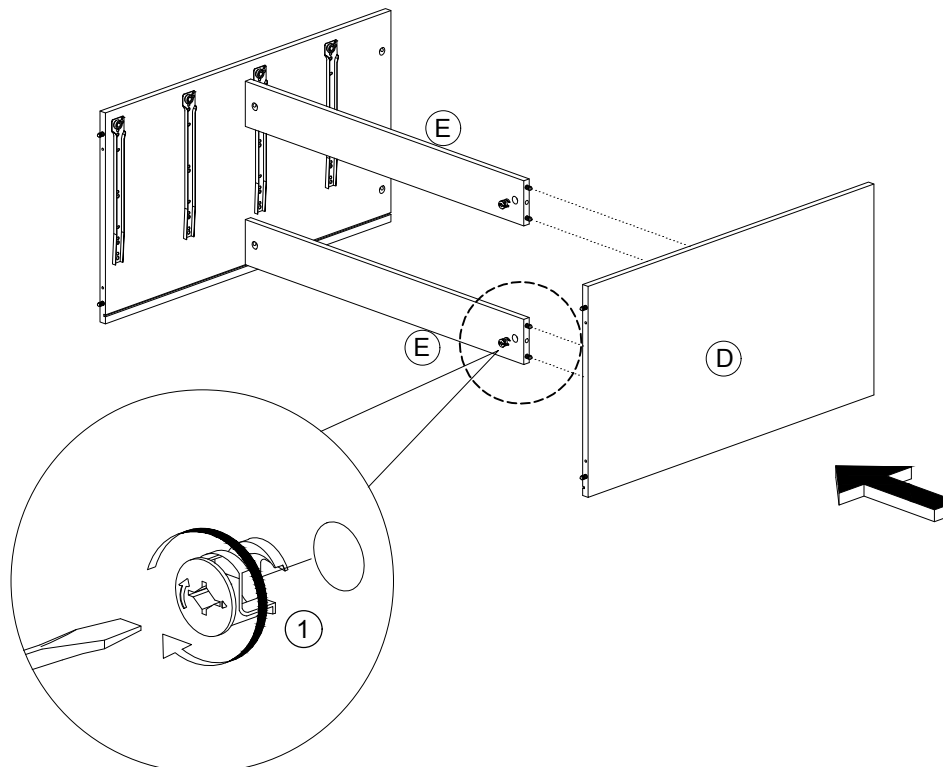


# Assembly Instruction

## STEP 8

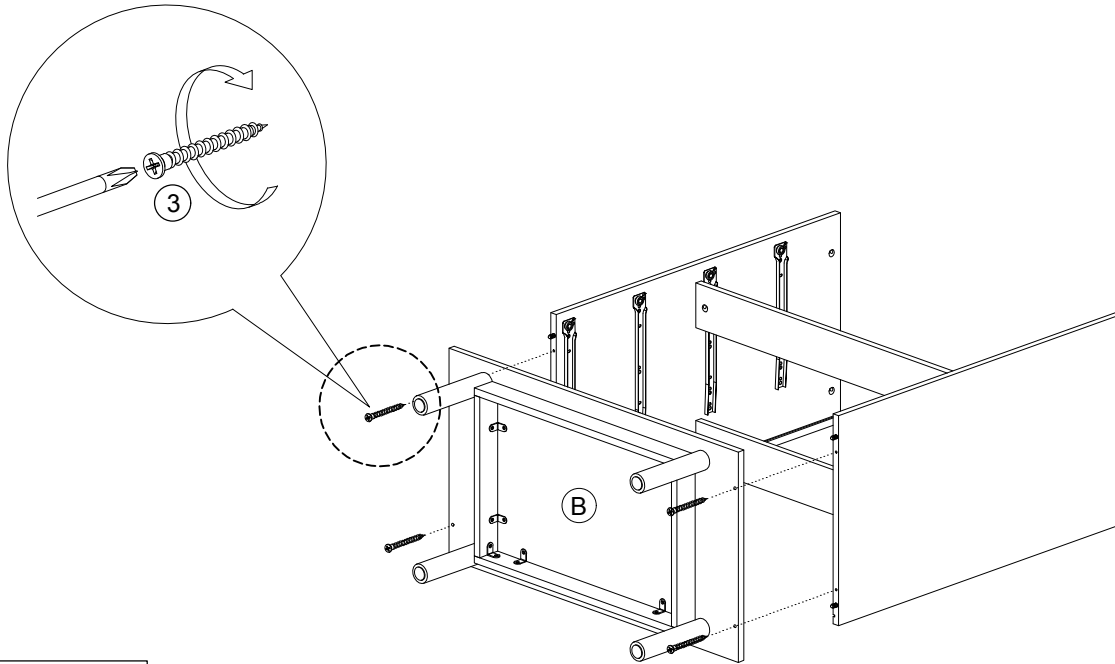


## STEP 9



# Assembly Instruction

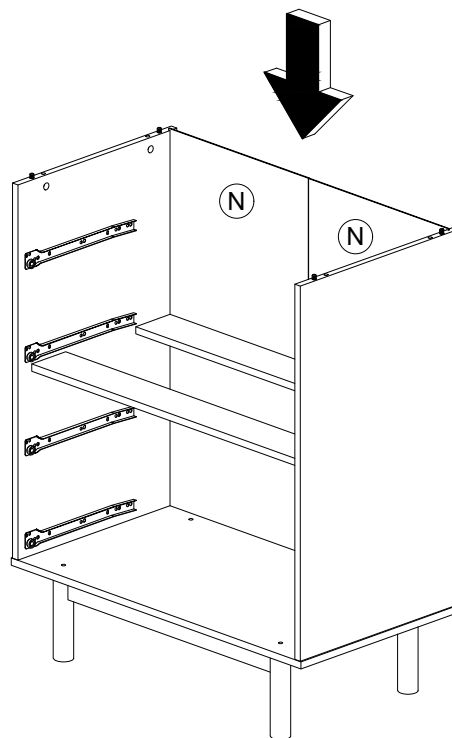
## STEP 10



③ X4

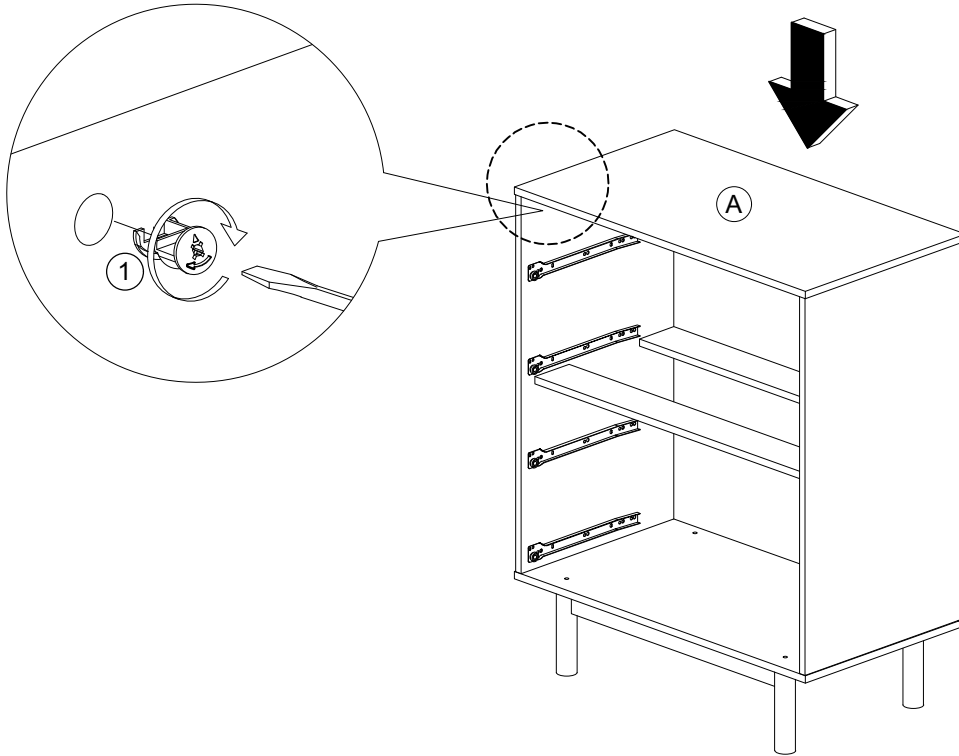


## STEP 11

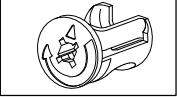


# Assembly Instruction

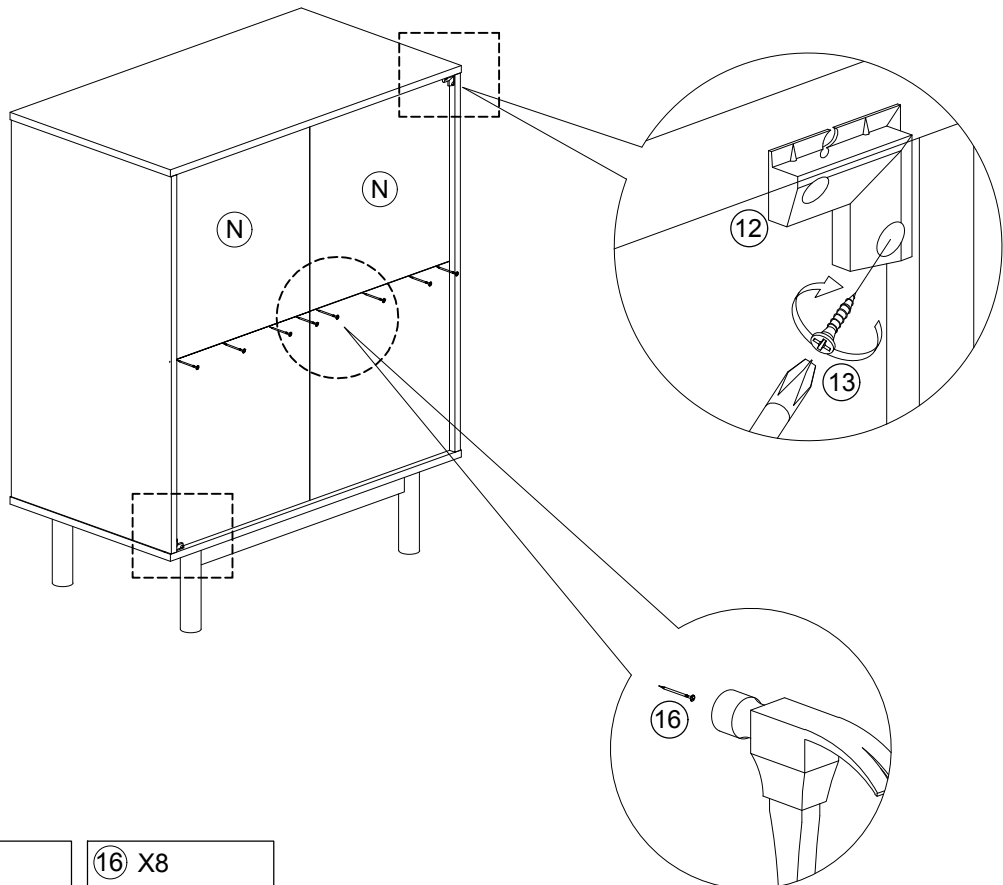
## STEP 12



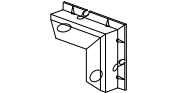
① X4



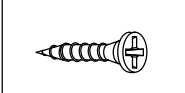
## STEP 13



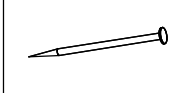
⑫ X2



⑬ X4



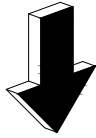
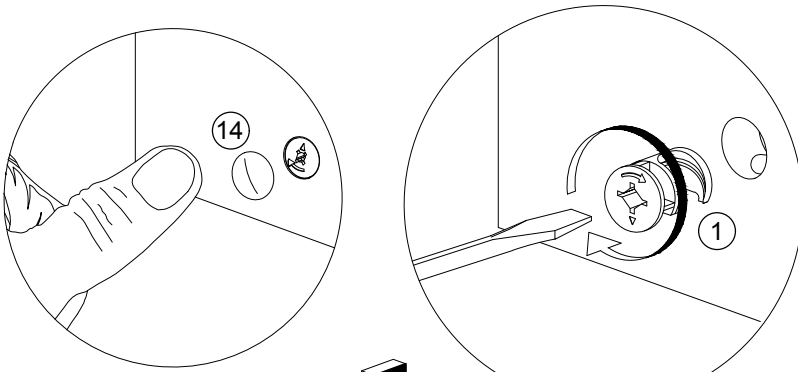
⑯ X8



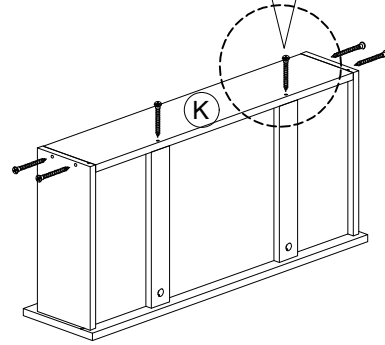
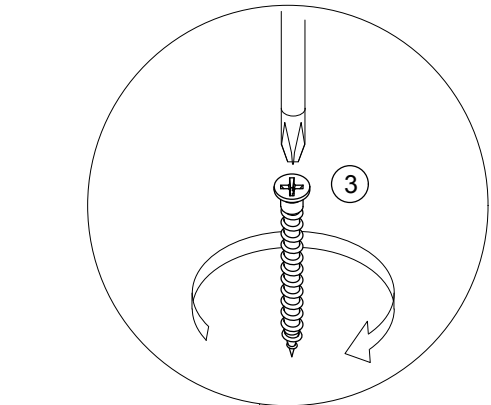
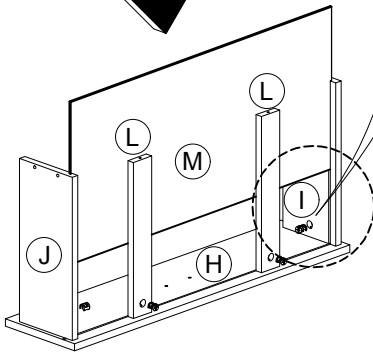


# Assembly Instruction

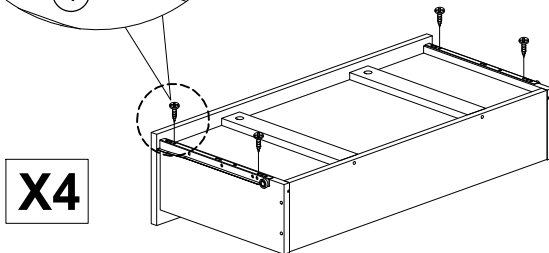
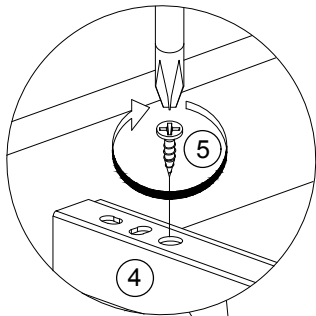
## STEP 14



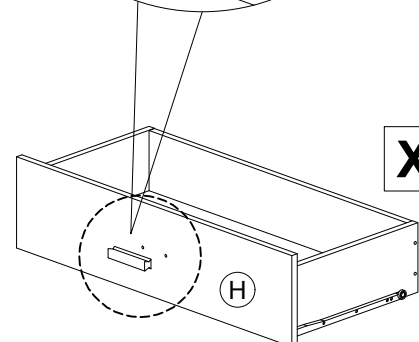
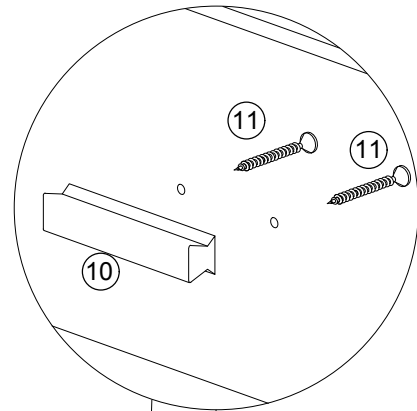
**X4**



**X4**

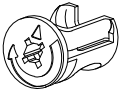


**X4**



**X4**

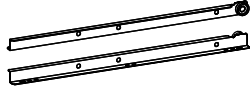
① X16



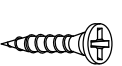
③ X24



④ X4



⑤ X16



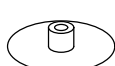
⑩ X4



⑪ X6

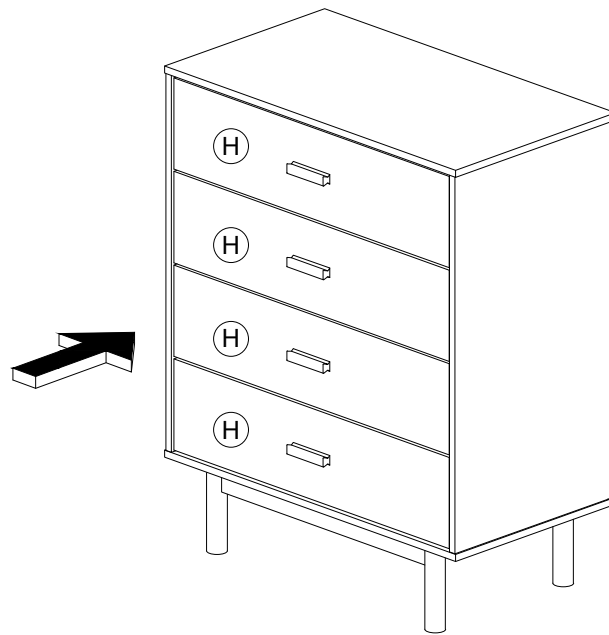


⑭ X8

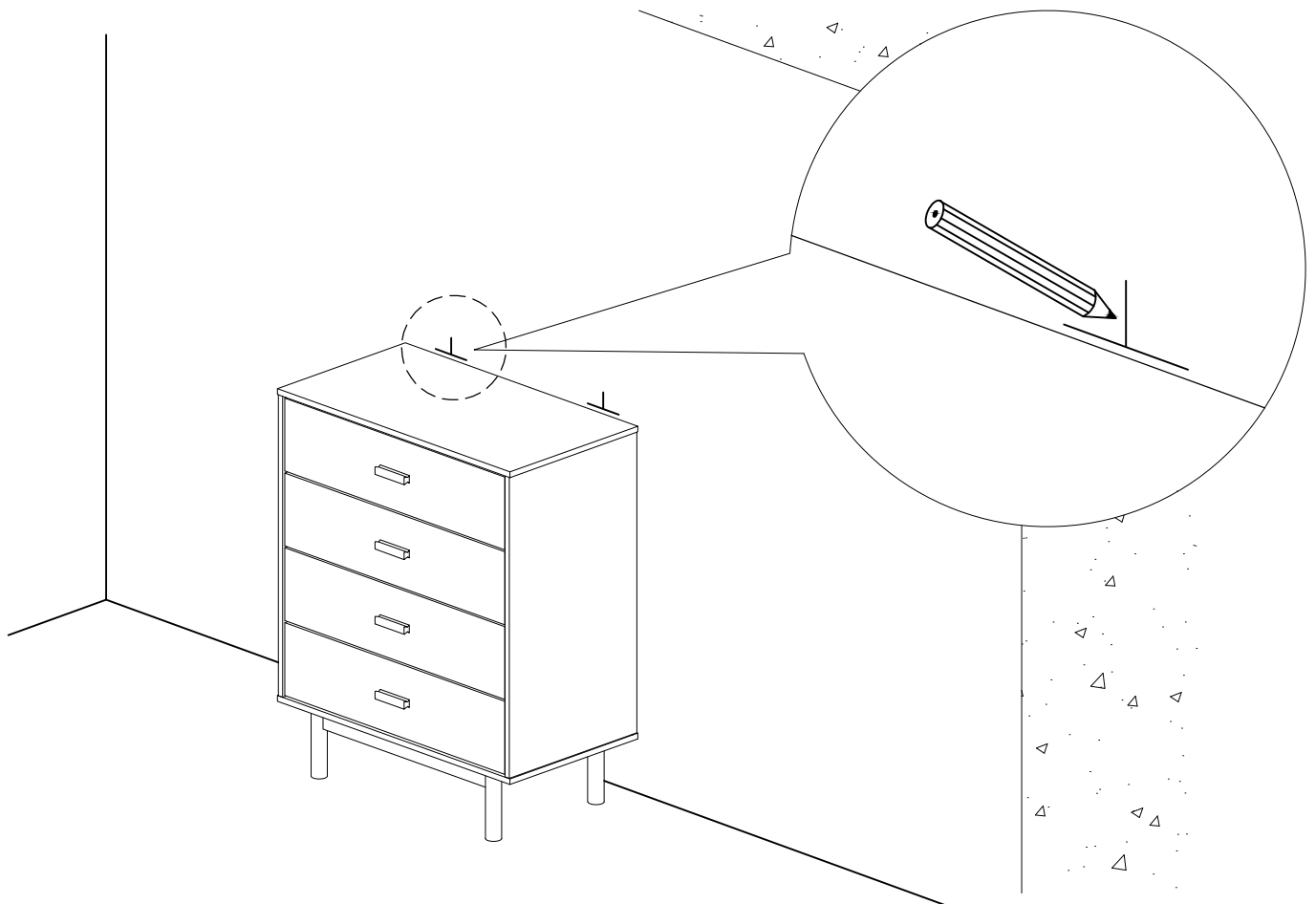


# Assembly Instruction

## STEP 15

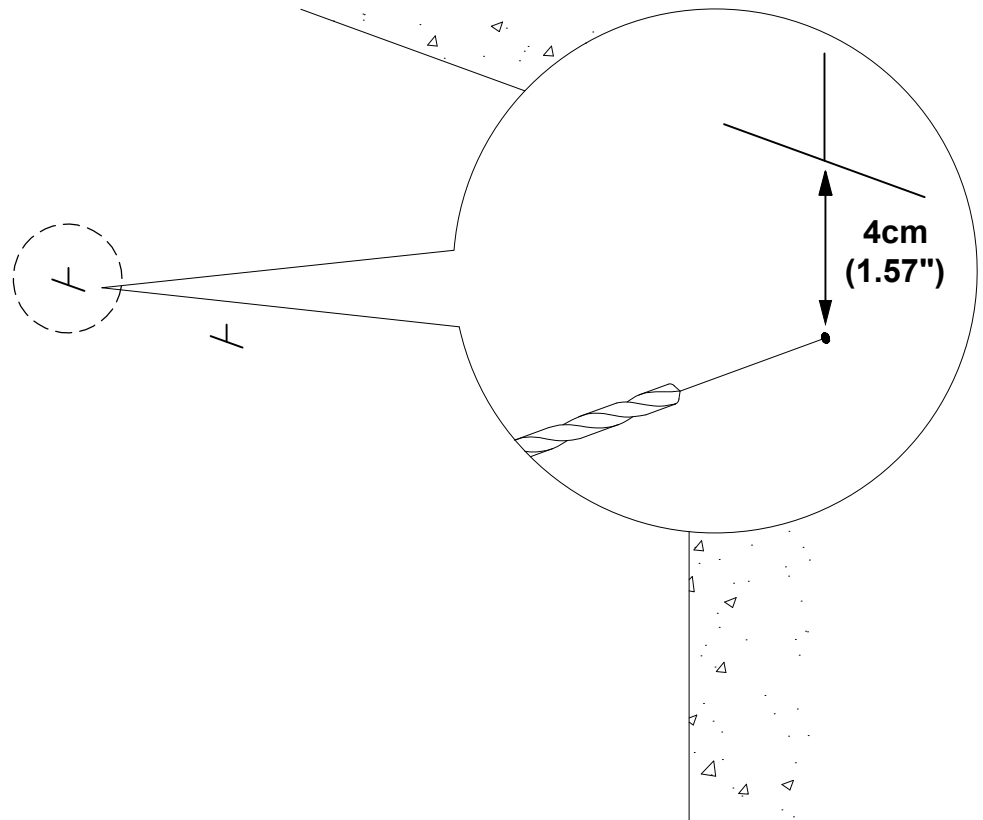


**STEP 16** The enclosed wall mounting materials (dowels and screws) are only suitable for solid masonry (e. g. concrete or brick walls). Special dowels and other screws may be necessary for other wall constructions. If necessary, please consult a qualified professional.

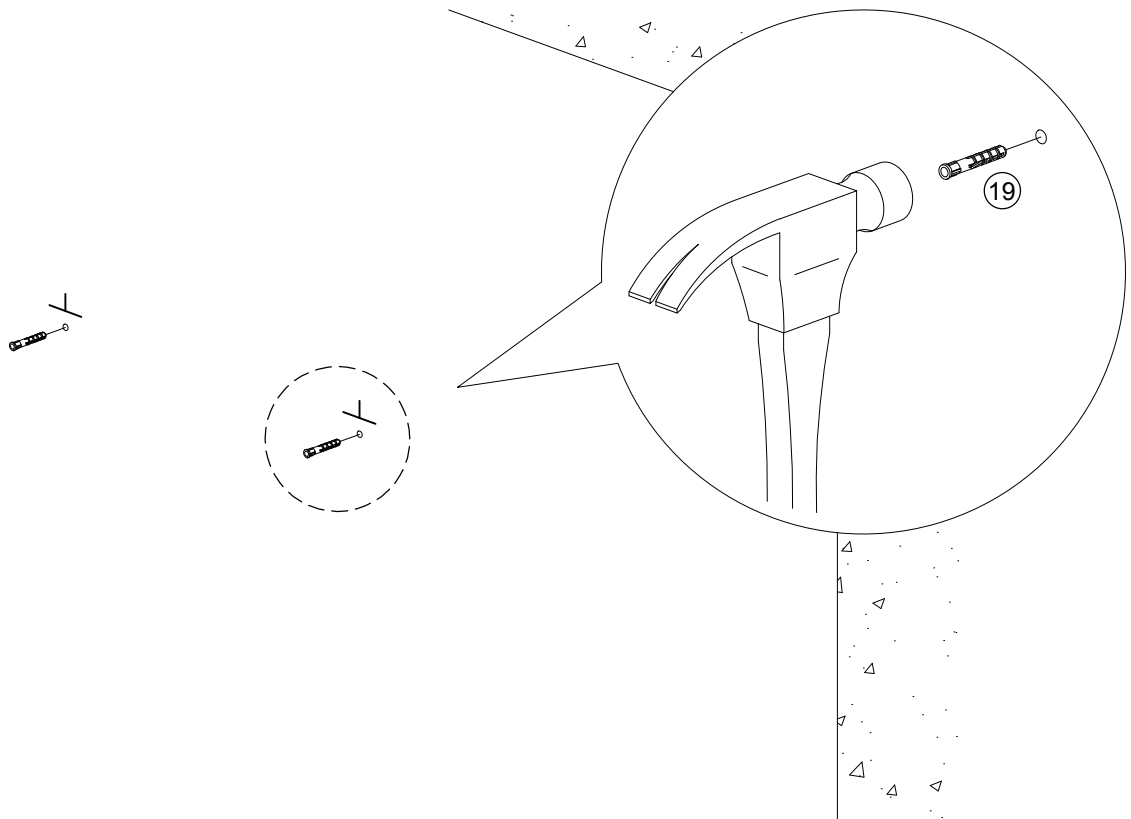


# Assembly Instruction

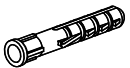
## STEP 17



## STEP 18

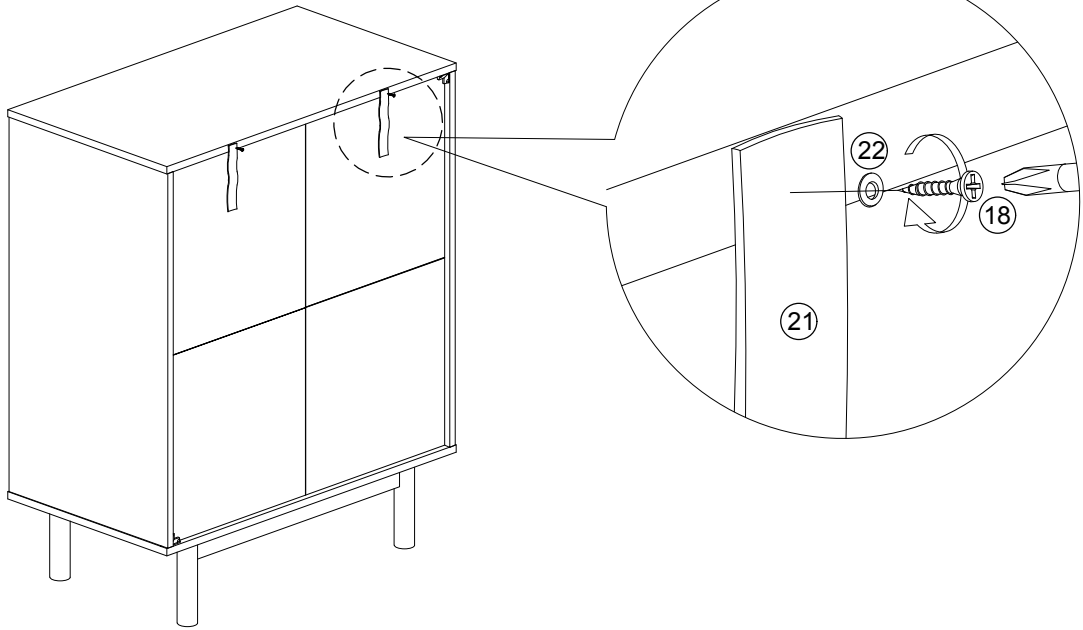


19 X2

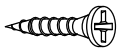


# Assembly Instruction

## STEP 19



18 X2



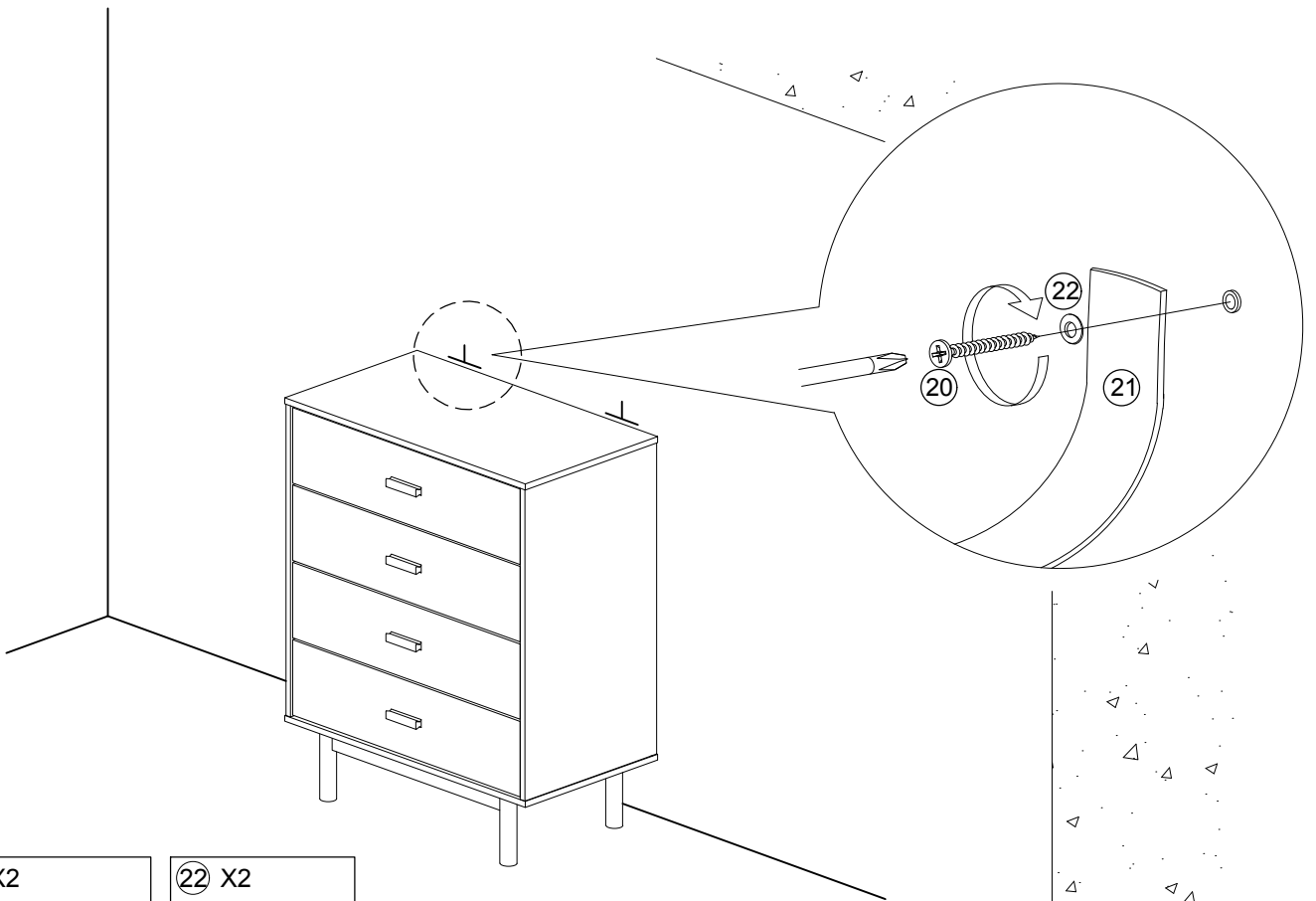
21 X2



22 X2



## STEP 20



20 X2



22 X2

