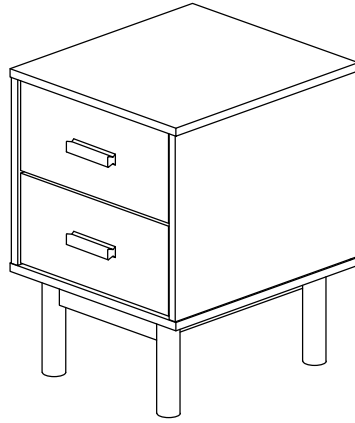
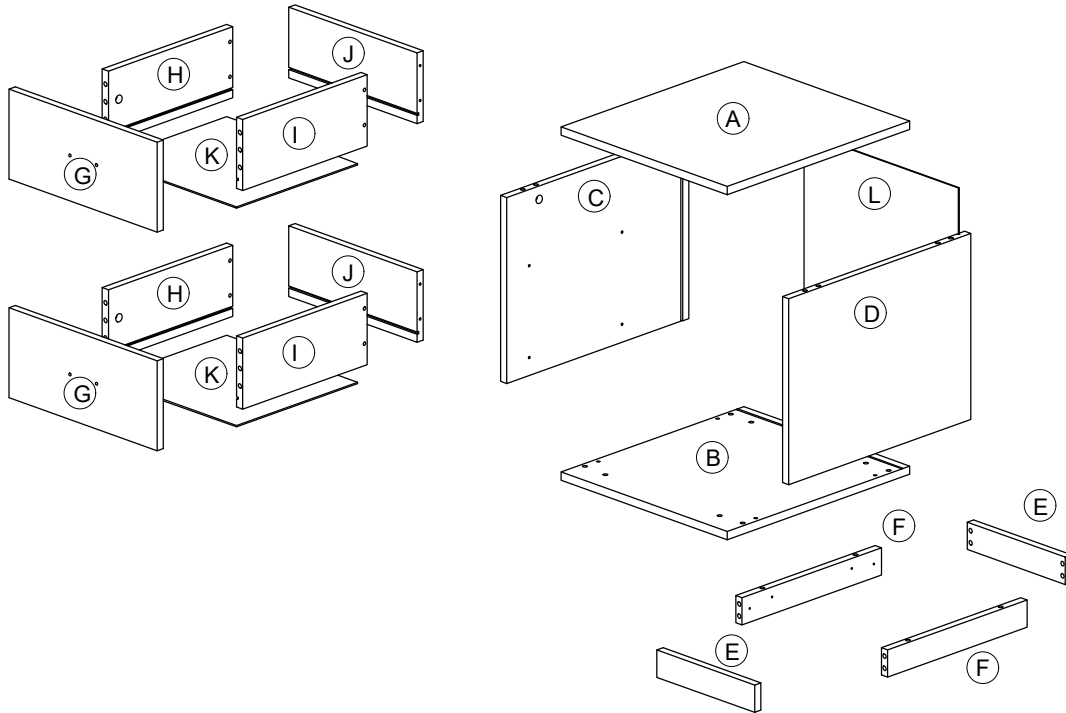


Assembly Instruction

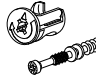
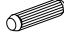


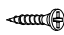

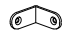
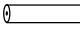

89431009 , 89431010 , 89431011



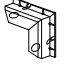
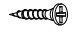





Part List

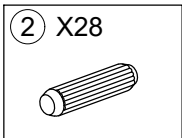
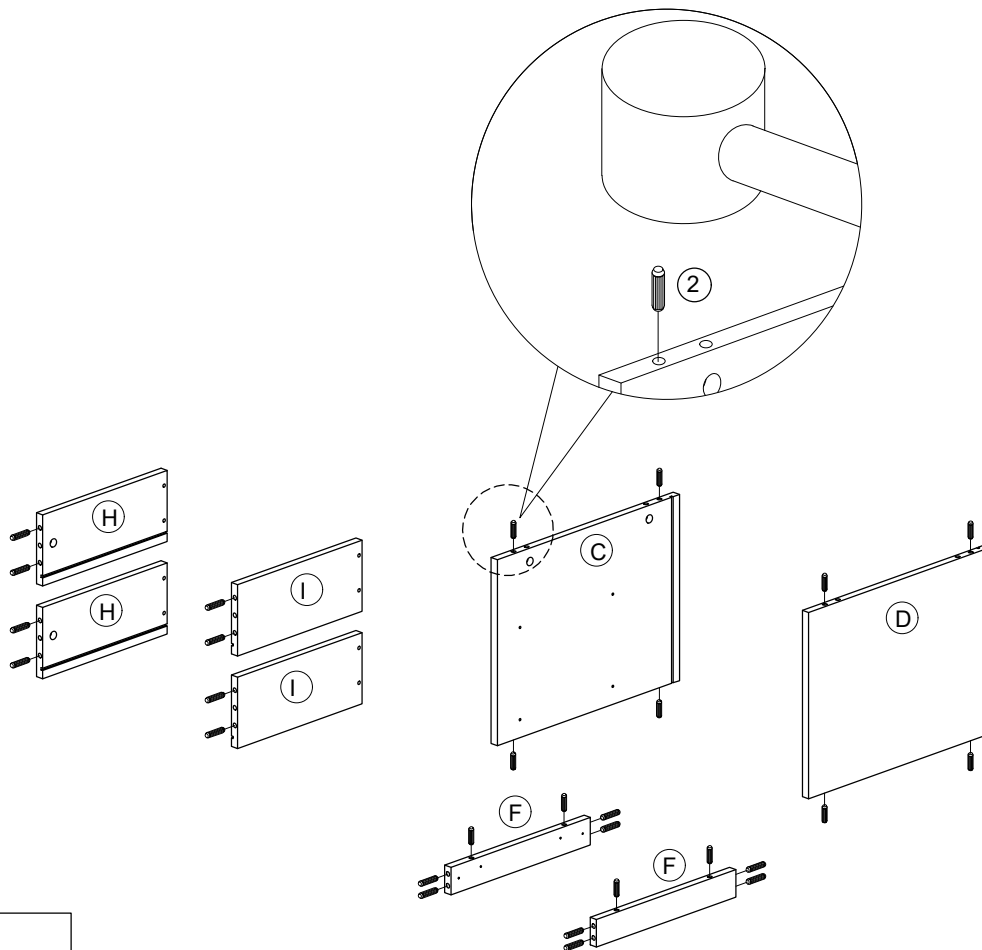


Assembly Instruction

<i>Hardware List</i>			
No.	SHAPE	DESCRIPTION	Qty.
1		15MM Myfix Minifix	8 Sets
2		8x25mm Wood Dowel	28 Pcs
3		M5x40mm Screw	12 Pcs
4		Drawer Slide 12" (300mm)	2 Sets
5		M3.5x16mm Screw	24 Pcs
6		M5x8mm Screw (Euro Screw)	8 Pcs
7		L Bracket	8 Pcs
8		Wooden Leg Ø40x40x180mm	4 Pcs
9		JCBC 'W' Screw M6x40	4 Pcs

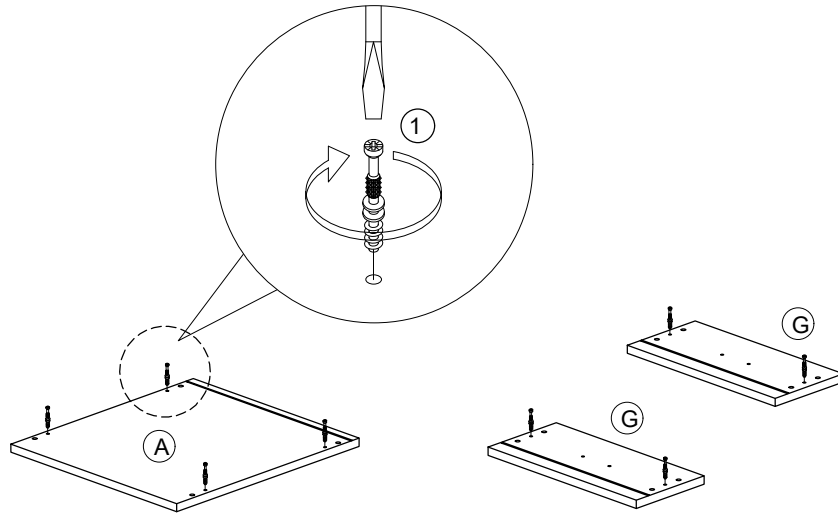
10		MDF Profile Handle (100mm)	2 Pcs
11		M4x30mm Screw	4 Pcs
12		Z Bracket	2 Pcs
13		M3x16mm Screw	4 Pcs
14		15mm Minifix Cap	4 Pcs
15		L Key	1 Pc
16		Round Gasket Ø20mm	4 Pcs

STEP 1



Assembly Instruction

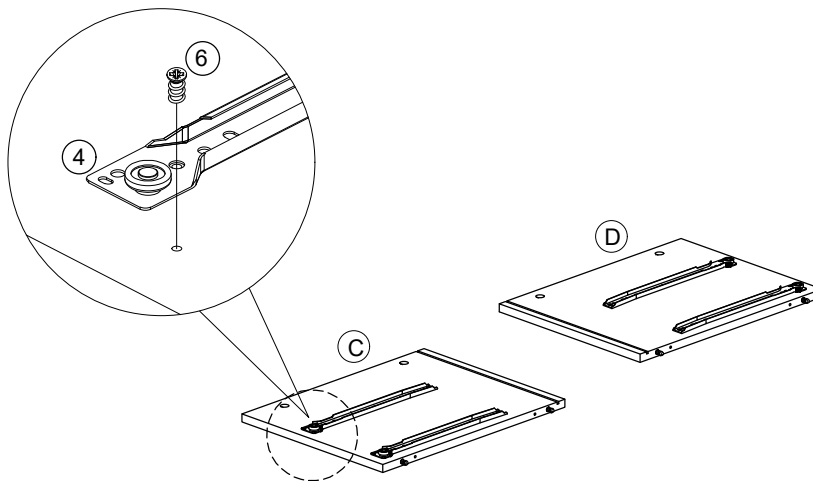
STEP 2



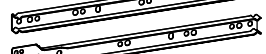
① X8



STEP 3



④ X2

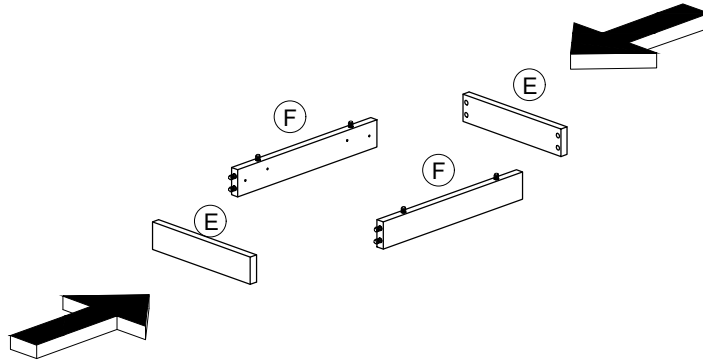


⑥ X8

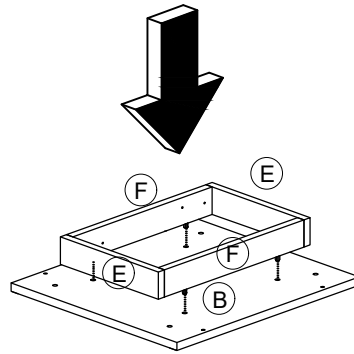


Assembly Instruction

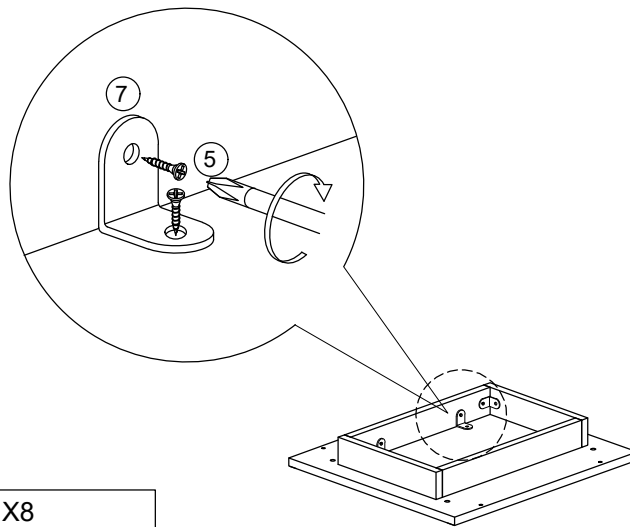
STEP 4



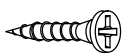
STEP 5



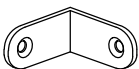
STEP 6



⑤ X16

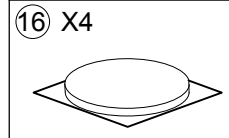
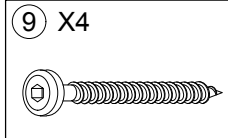
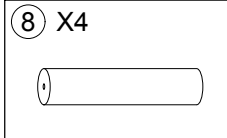
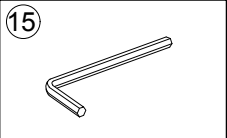
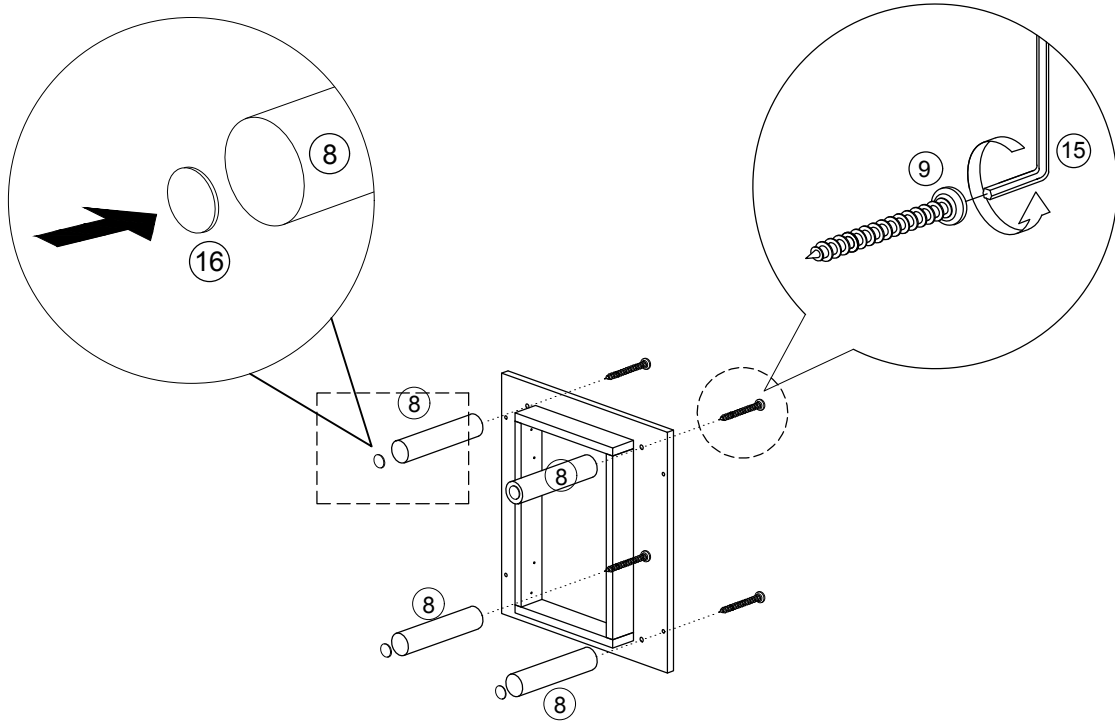


⑦ X8

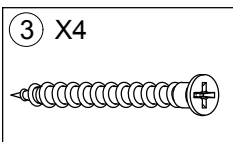
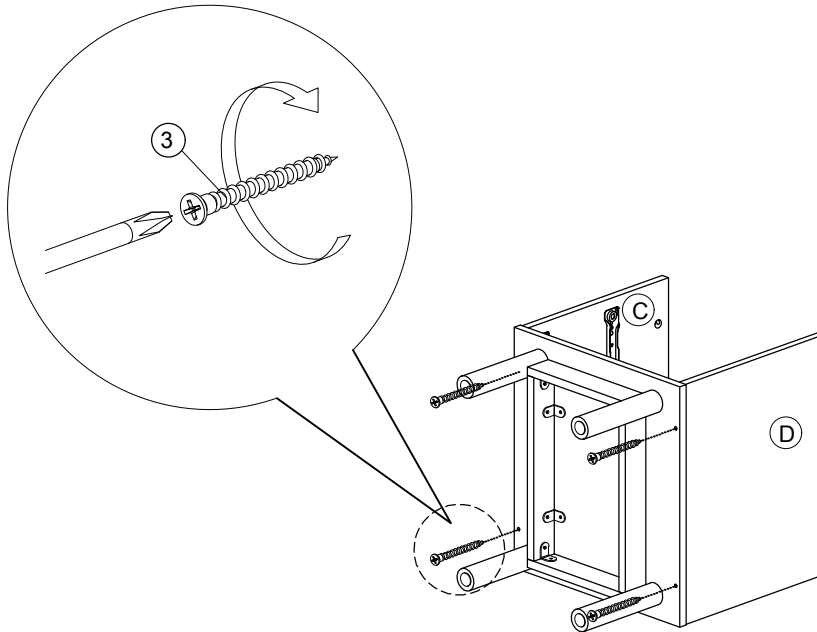


Assembly Instruction

STEP 7

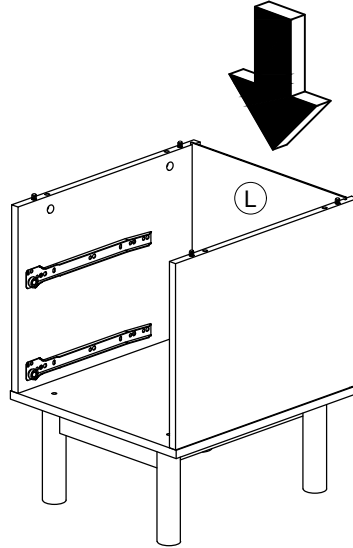


STEP 8

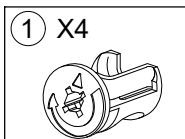
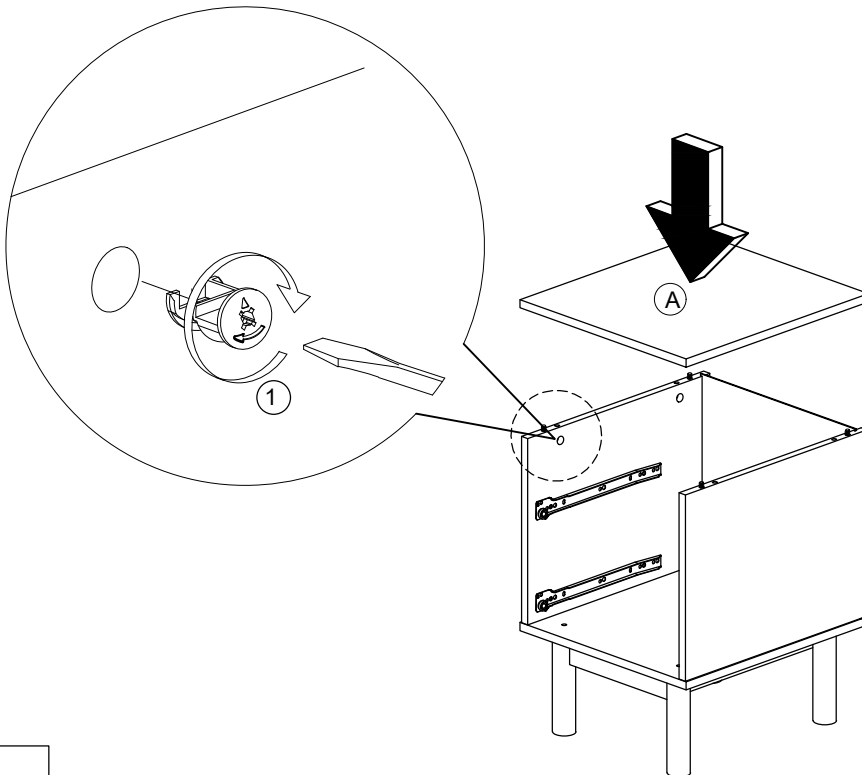


Assembly Instruction

STEP 9

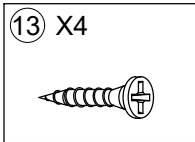
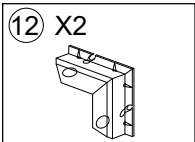
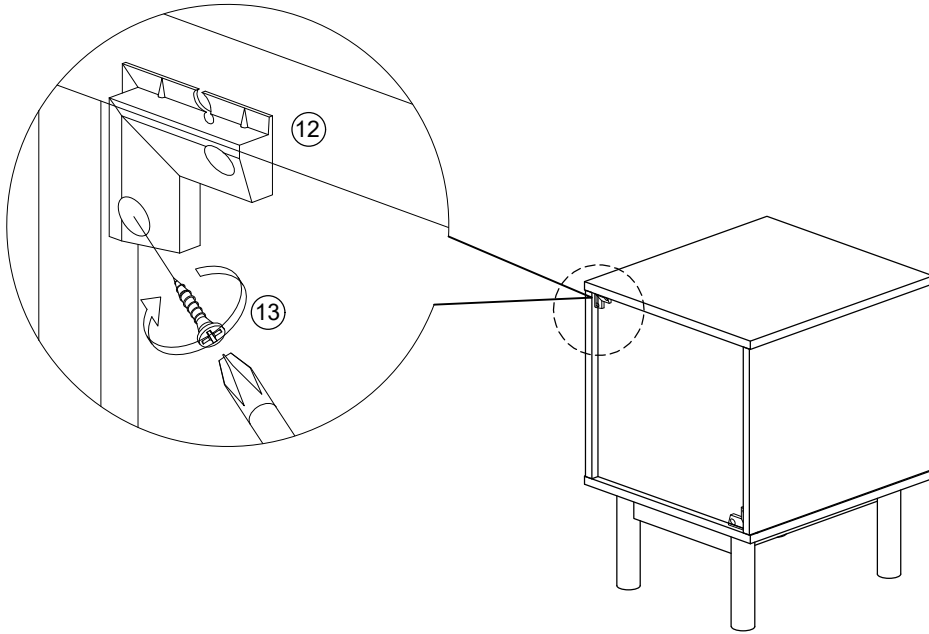


STEP 10

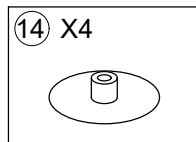
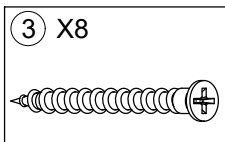
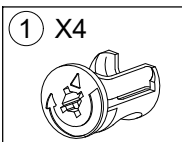
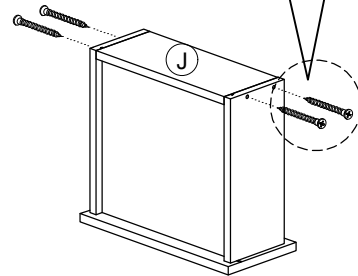
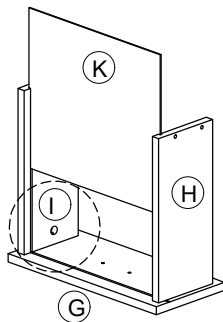
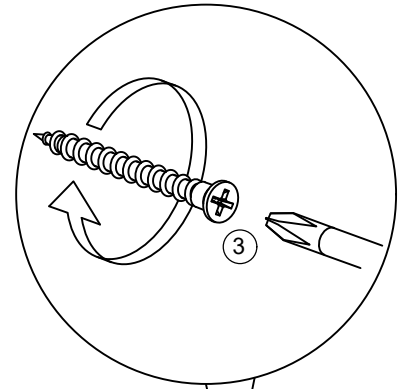
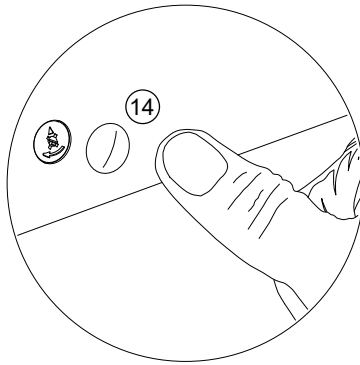
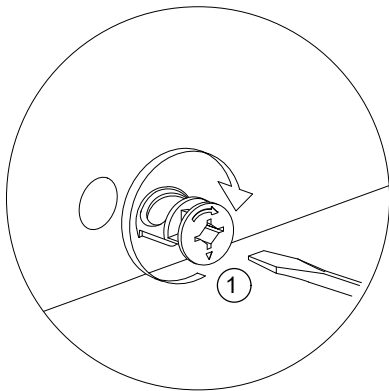


Assembly Instruction

STEP 11

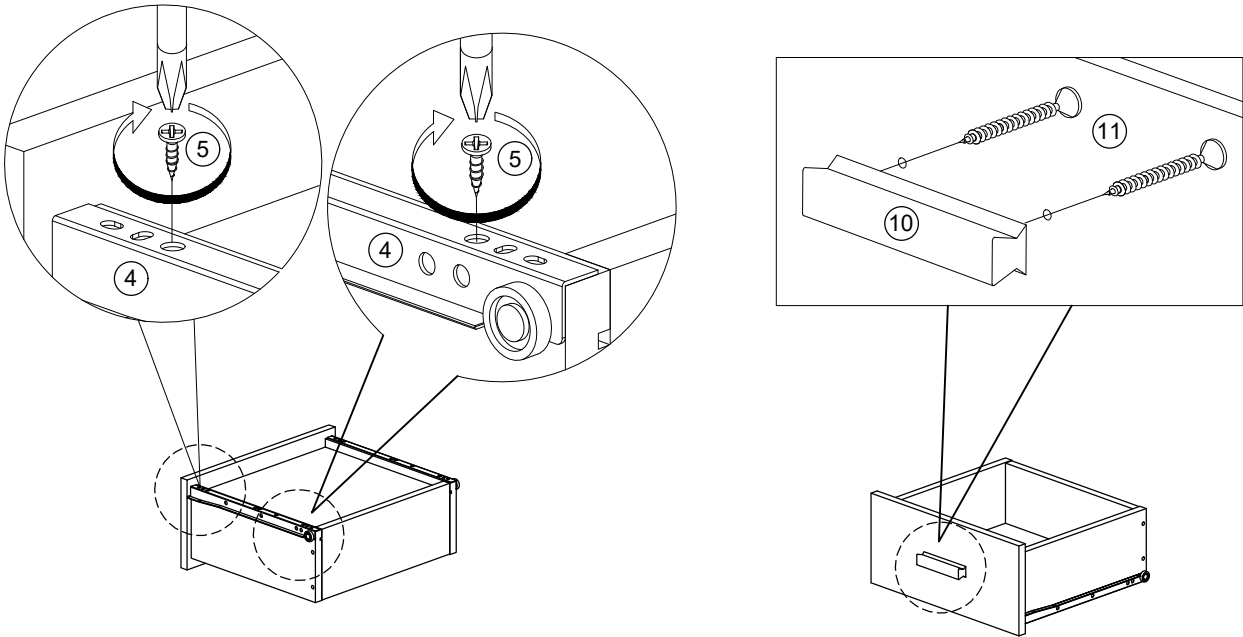


STEP 12

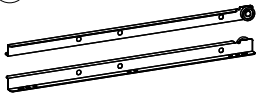


Assembly Instruction

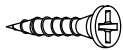
STEP 13



④ X2



⑤ X8



⑩ X2



⑪ X4



STEP 14

