



Small Dial Gauge MU 28

The Dial Gauge MU 28 is the smallest model of our broad manufacturing programme. Its extremely small overall dimensions require a special adjustment procedure according to manufacturing standards.

Spindles and stems of the Small Dial Gauges MU 28 and KM 6 T are made of resistant stainless steel.

| Small Dial Gauge MU 28 | |
|--------------------------------------|--|
| Reading | 0.01 mm |
| Range | 3.5 mm |
| Range per revolution | 0.5 mm |
| Bezel-Ø | 28 mm |
| Stem-Ø | 8 h 6 |
| Dimensions and accuracy according to | DIN EN ISO 463 / manufacturing standard 4.0000.9.0012 |
| Initial measuring force | 0.8 N ± 20% |
| Dimensioned drawing | page 24 |
| Data sheet to DIN EN ISO 463 | www.kaefer-messuhren.de |

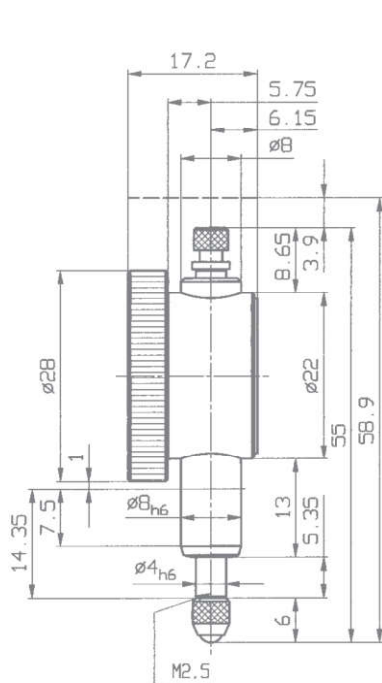


Small Dial Gauge KM 6 T

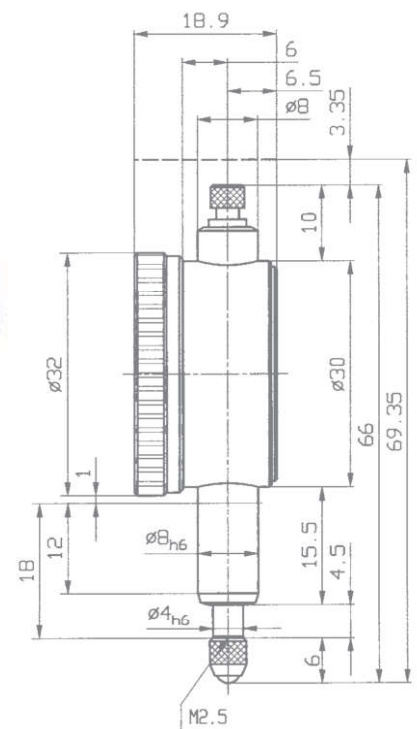
All allowed tolerances of the Small Dial Gauge KM 6 T conform to DIN 878.

On request the Small Dial Gauges KM 6 T and MU 28 are also available with coloured tolerance segments. Please request our respective offer.

| Small Dial Gauge KM 6 T | |
|--------------------------------------|--|
| Reading | 0.01 mm |
| Range | 3 mm |
| Range per revolution | 0.5 mm |
| Bezel-Ø | 32 mm |
| Stem-Ø | 8 h 6 |
| Dimensions and accuracy according to | DIN EN ISO 463 / DIN 878 |
| Initial measuring force | 0.8 N ± 20% |
| Dimensioned drawing | page 24 |
| Data sheet to DIN EN ISO 463 | www.kaefer-messuhren.de |



Model shown: KM 6 T



Special fittings:

